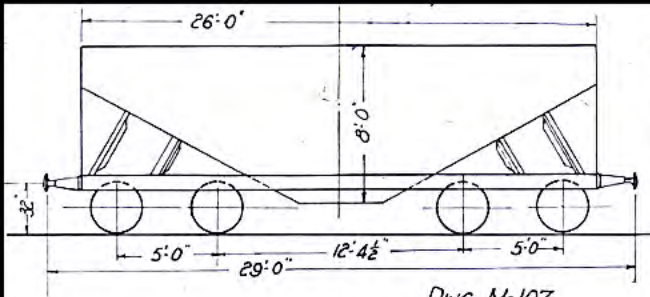
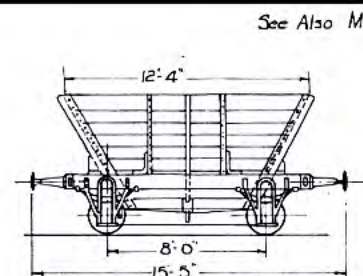
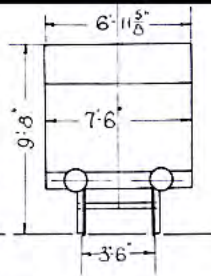


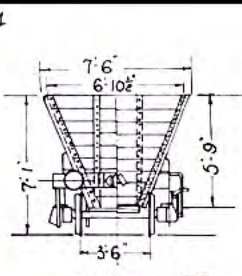
See Also M-134



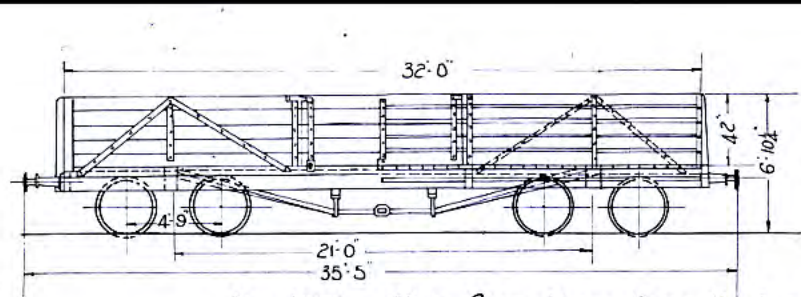
DWG M-107
20 TON HOPPER WAGON, QUEENSLAND RAILWAYS
CAPACITY 994 Cu.Ft.



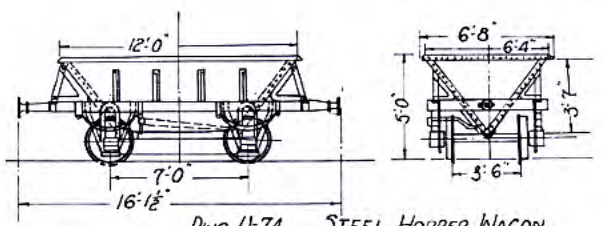
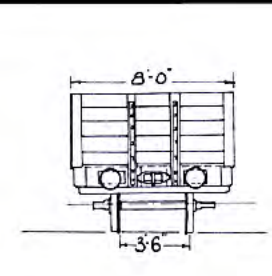
DWG M-137
HOPPER WAGON CLASS V, QLD RAILWAYS
CAPACITY 220 Cu.Ft.



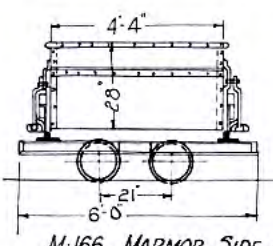
To CARRY 6 TON 11 CWT



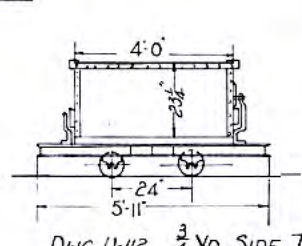
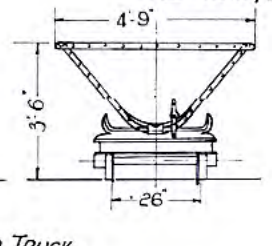
DWG M-106
32 FT. GOODS WAGON CLASS H, QLD RAILWAYS
To CARRY 13 TON 3 CWT
CAPACITY 896 Cu.Ft.



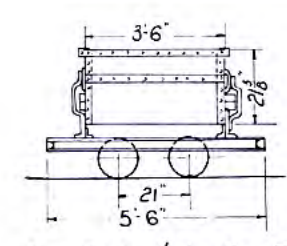
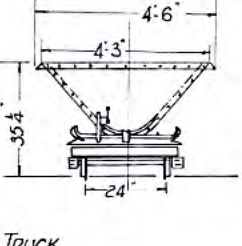
DWG U-74
STEEL HOPPER WAGON
COPPER RED^N WORKS
CAPACITY 115.34



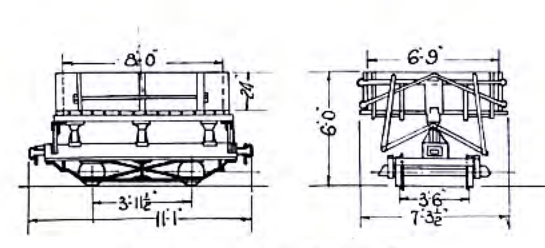
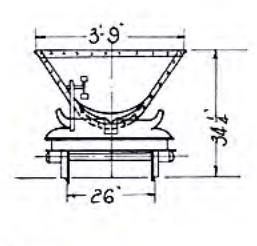
M-166 MARMOR SIDE TIP TRUCK
AUST. METAL COY.
CAPACITY 26 Cu.Ft.



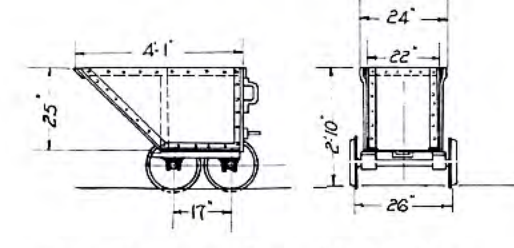
DWG U-112
3/4 YD. SIDE TIP TRUCK
COPPER RED^N WORKS



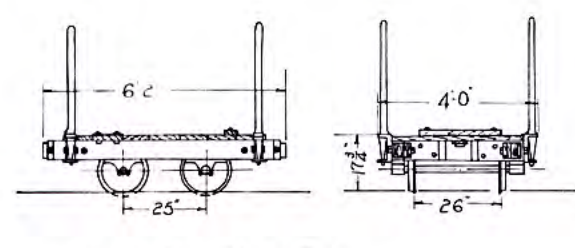
DWG T-132
1/2 YD. SIDE TIP TRUCK
IRON ISLAND & MANY PEAKS



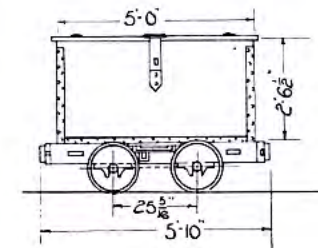
DWG T-12
4 YD. DUMP CAR
OPEN CUT WKGS.



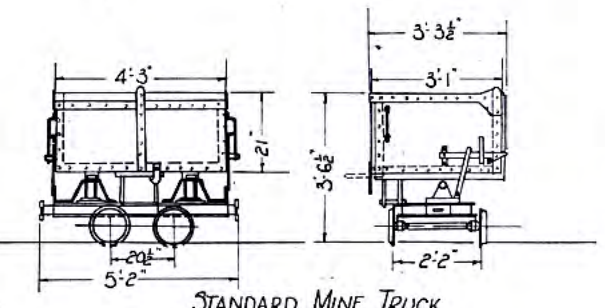
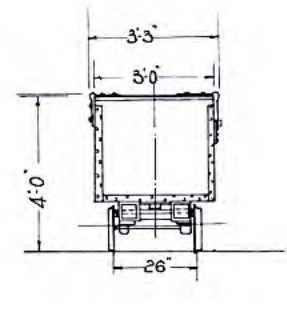
DWG EC
DUST TRUCK, MUNDIC WKS.
CAPACITY 11.6 Cu.Ft.



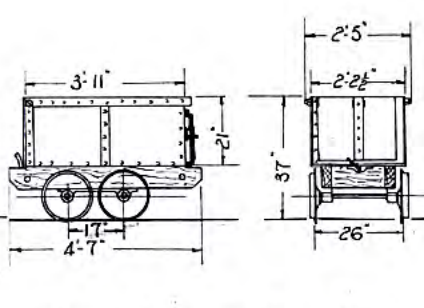
DWG M-197
WOOD TRUCK



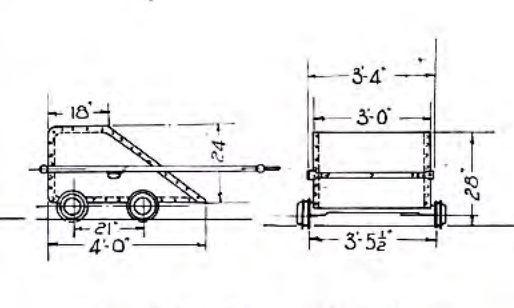
DWG M-200
CHARCOAL FILTER TRUCK
CAPACITY 34.2 Cu.Ft.



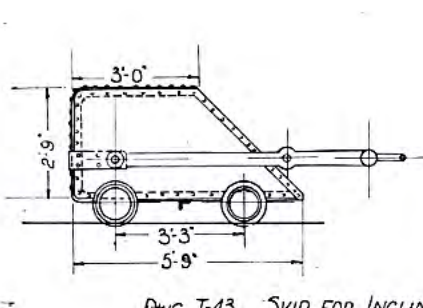
STANDARD MINE TRUCK
DWG T-82
SIDE TIPPING TRUCK
CAPACITY 23 Cu.Ft.



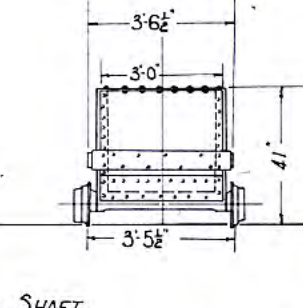
DWG T-92
MINE STEEL TRUCK
CAPACITY 16 1/2 Cu.Ft.



DWG T-45
SKIP FOR INCL. SHAFT
CAPACITY 16 Cu.Ft.

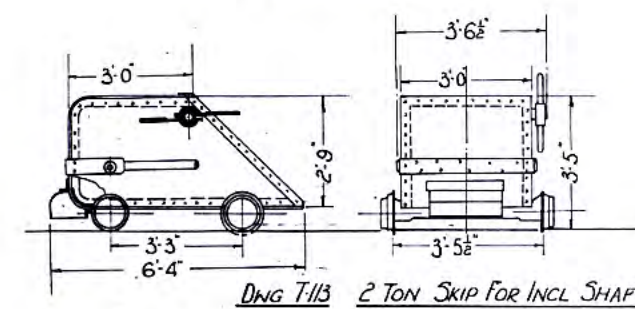


DWG T-43
SKIP FOR INCLINED SHAFT
CAPACITY 35.8 Cu.Ft.

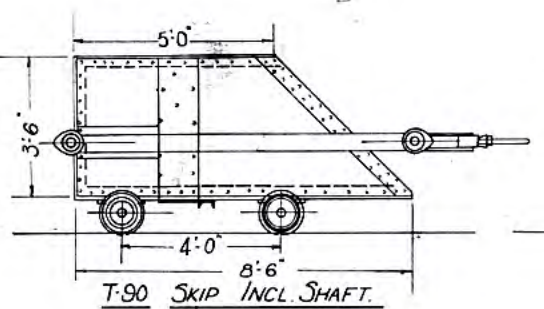


DWG T-259
MINE TIMBER TRUCK

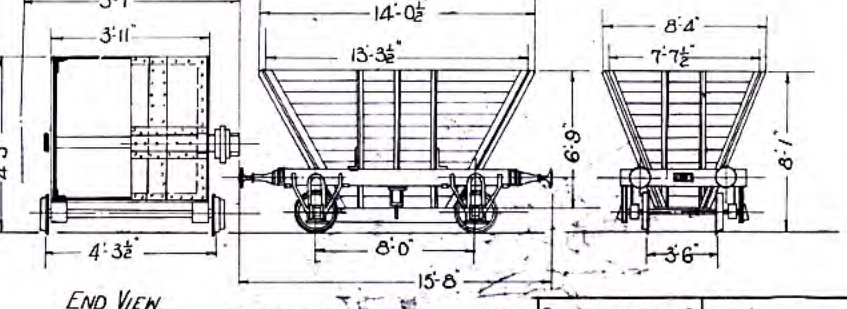
SCALE:



DWG T-113
2 TON SKIP FOR INCL SHAFT
FITTED UP FOR BALING



T-90
SKIP INCL SHAFT.
CAPACITY 93 Cu.Ft.



END VIEW

HOPPER WAGON CLASS V.Q.
RAILWAYS
CAPACITY 321 Cu.Ft.

Drawn: 21.3.07 L.B.
Traced: 10.1.52 E.N.
Checked:
Approved:

TRUCKS AND WAGONS
IN USE ON MINE.

MOUNT MORGAN LTD.
MOUNT MORGAN,
QUEENSLAND

M-199