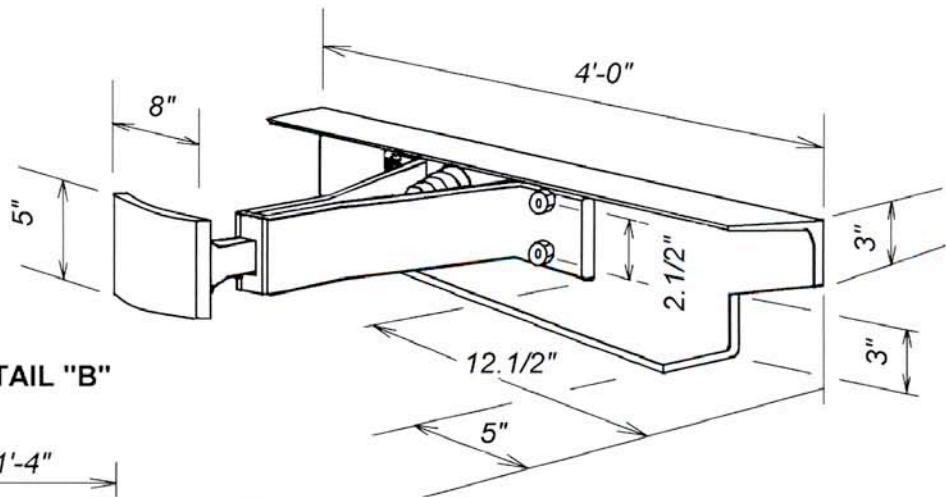
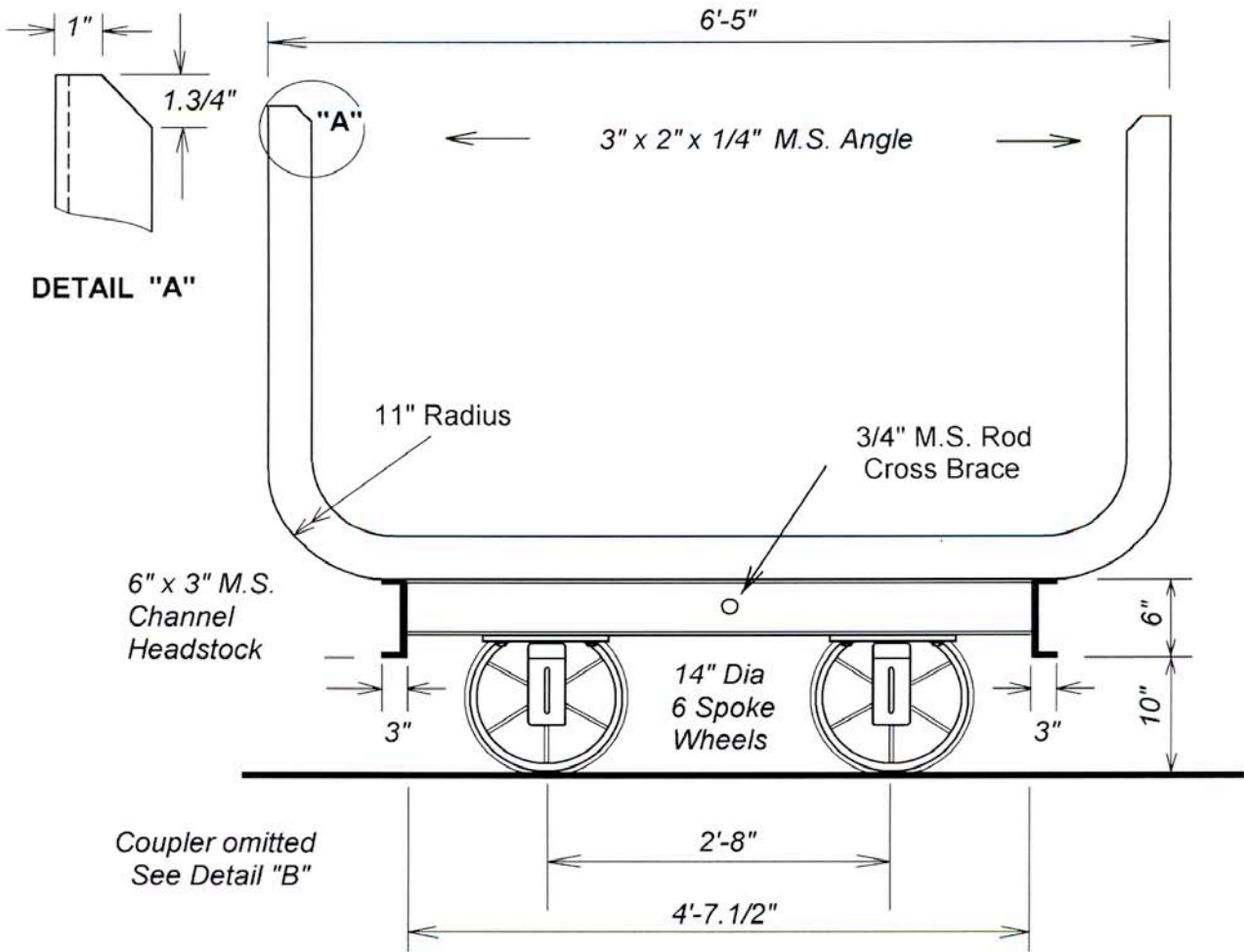


**FOWLER STEEL CANE
TRUCK - HUXLEY MILL**

Sheet 1 of 3

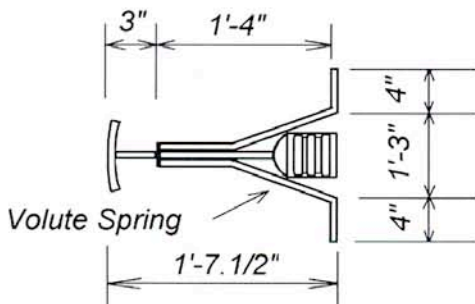


DETAIL "B"

TOP VIEW

Field Sketch only
Not to Scale

Measured at Childers Museum



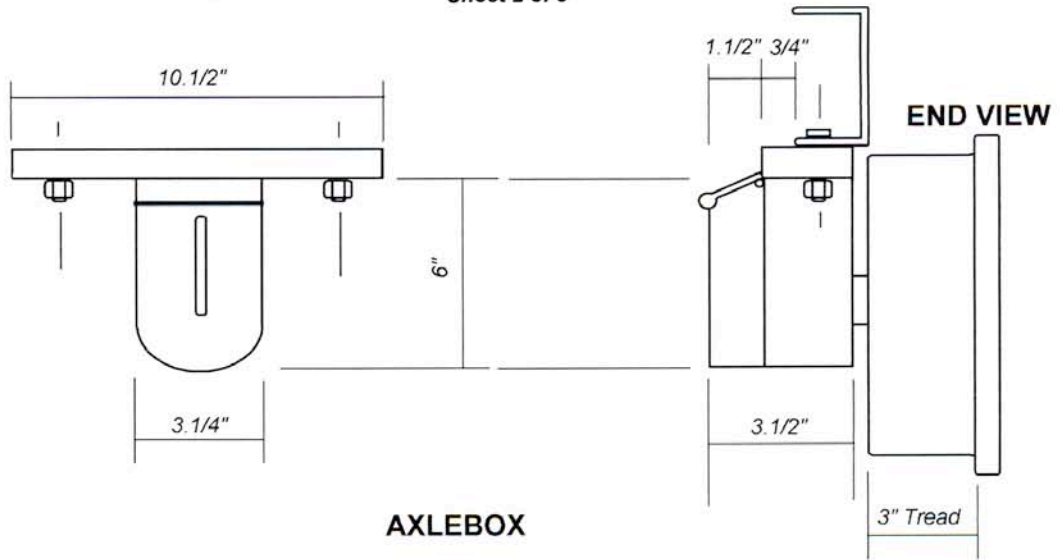
Volute Spring

© John Armstrong JA 1199/208

FOWLER STEEL CANE TRUCK HUXLEY MILL

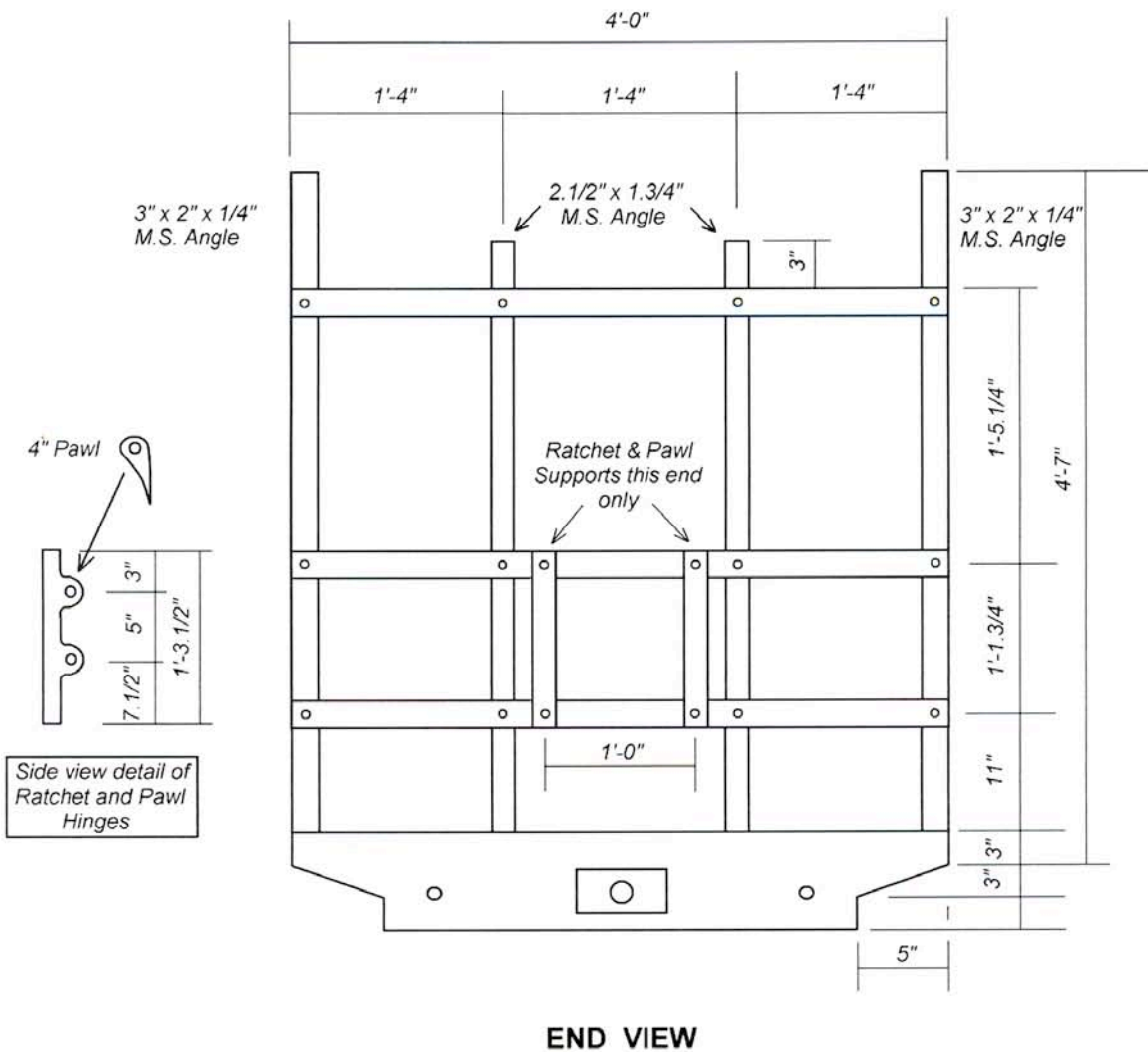
Measured at Childers Museum

Sheet 2 of 3



AXLEBOX

END VIEW



END VIEW

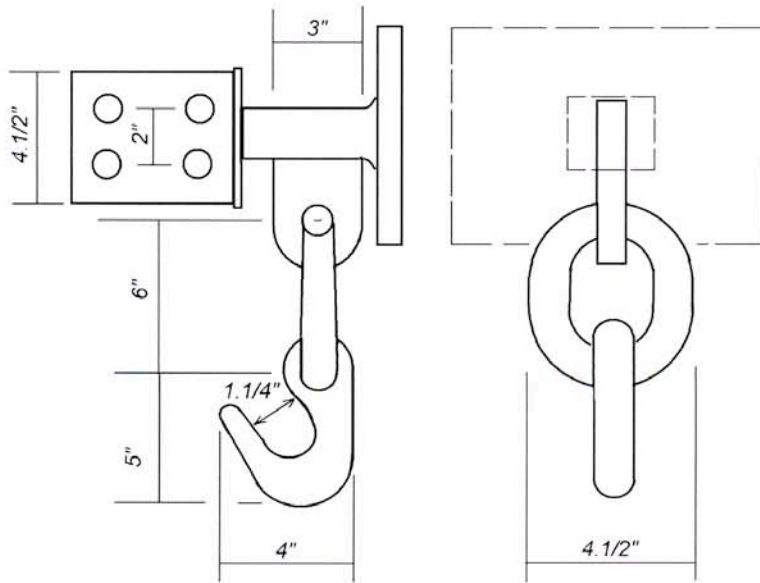
Side view detail of
Ratchet and Pawl
Hinges

From Field Sketch
NOT TO SCALE

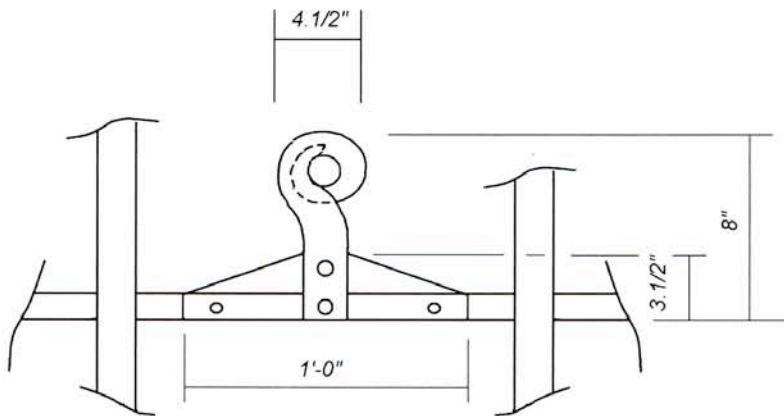
© John Armstrong JA 1199/208

**FOWLER STEEL CANE
TRUCK HUXLEY MILL**

Sheet 3 of 3



DETAIL OF HOOK



END VIEW

**HOOK FOR CHAIN ON
OPPOSITE END TO
RATCHET**

FROM FIELD SKETCH

NOT TO SCALE