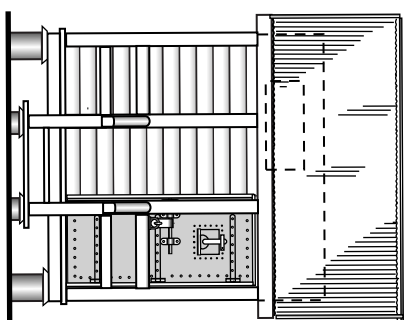
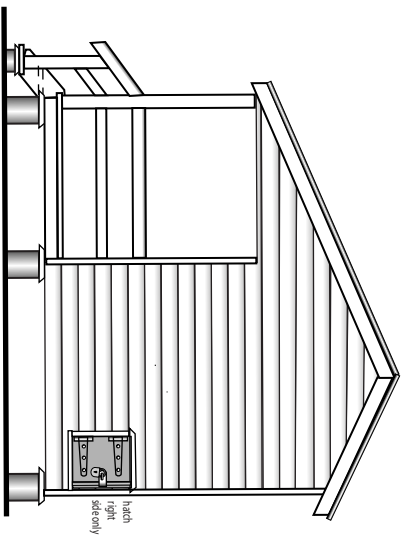
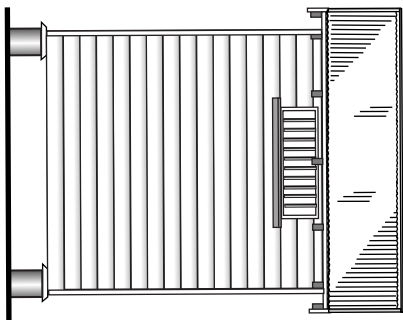
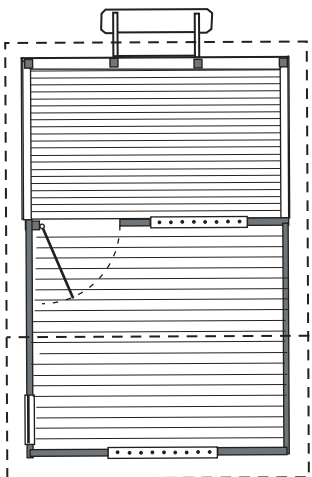
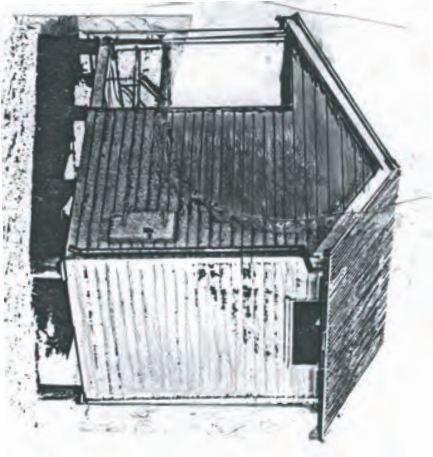


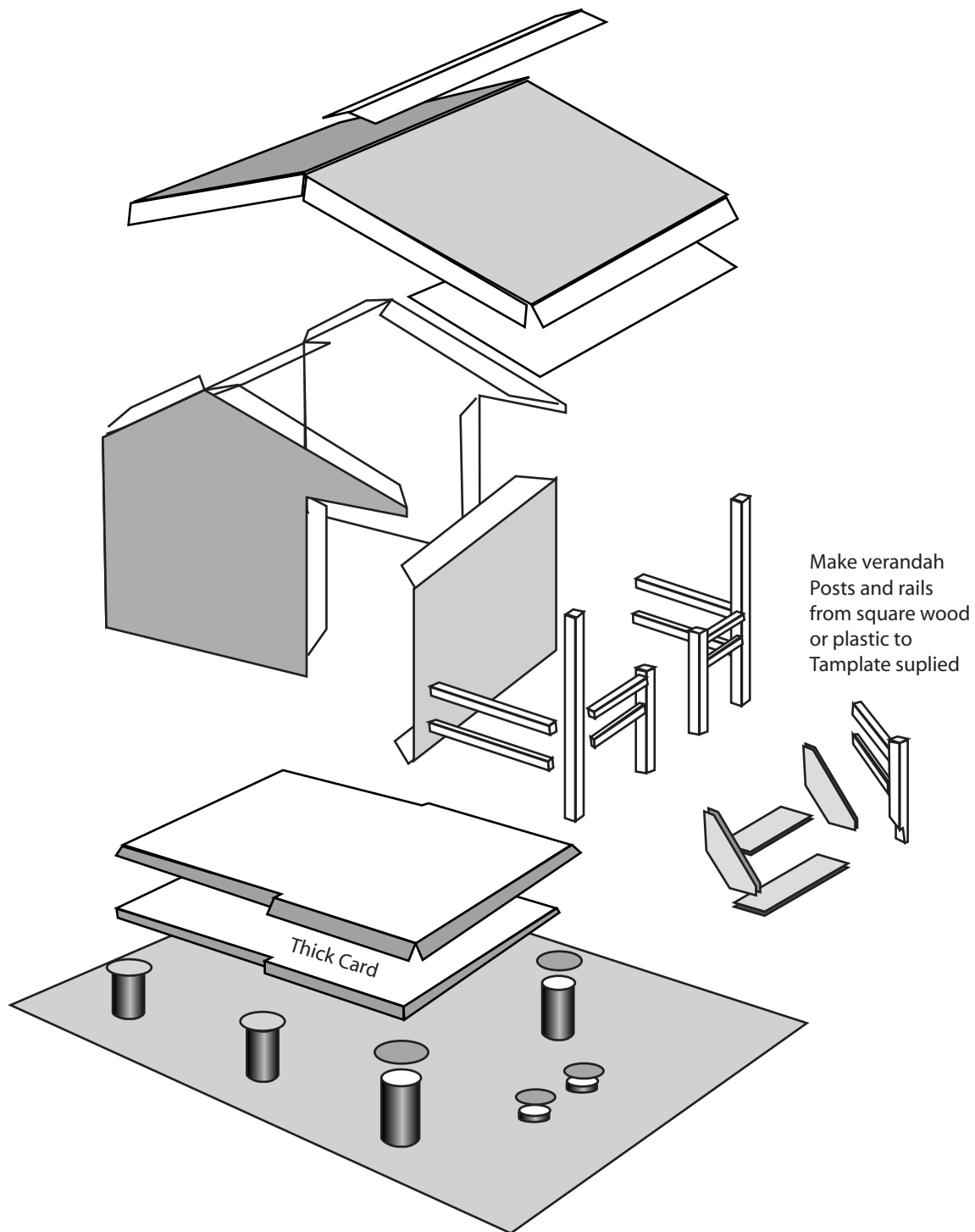
Police Single Lockup



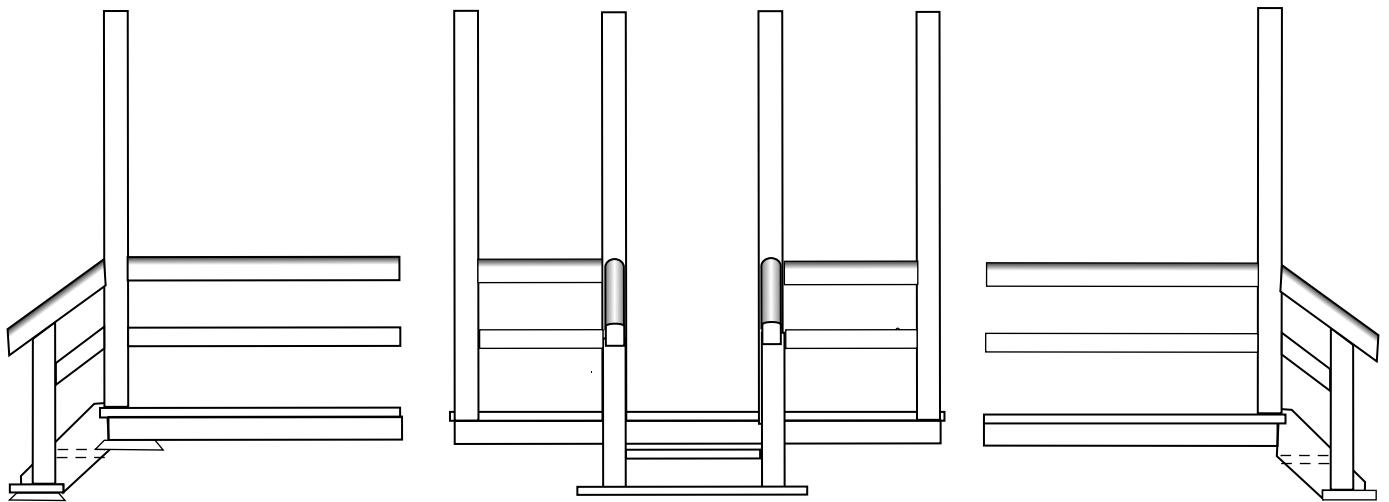
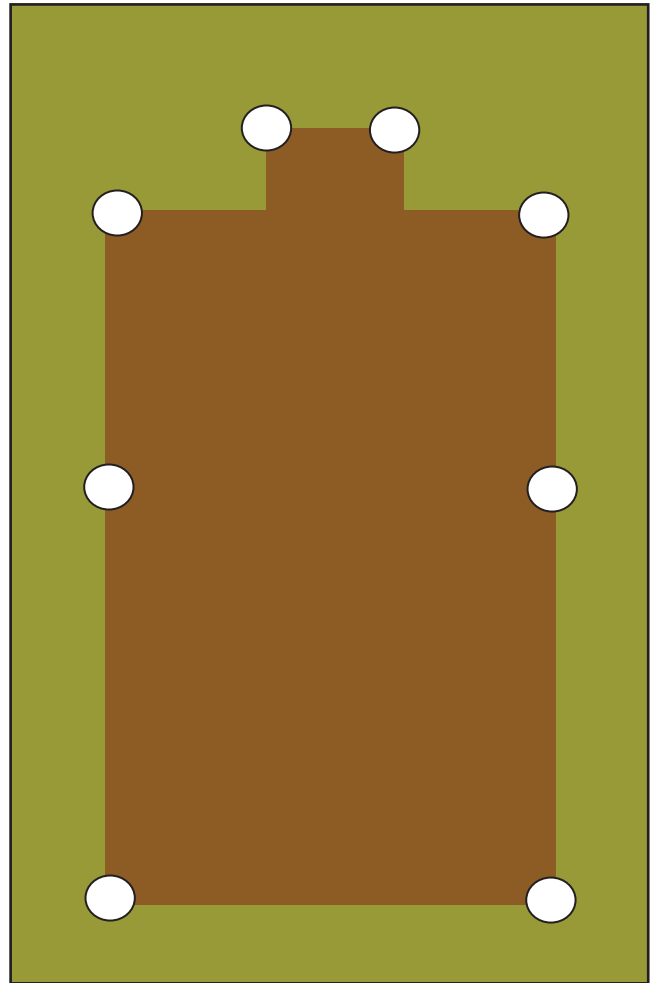
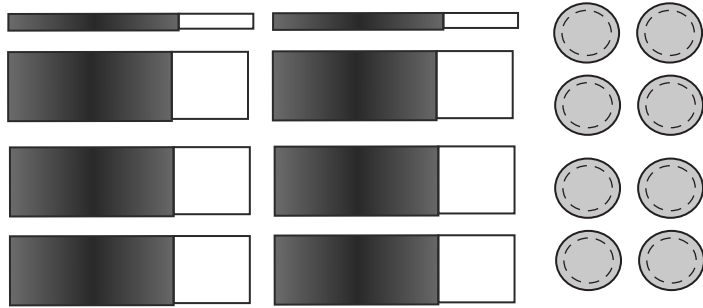
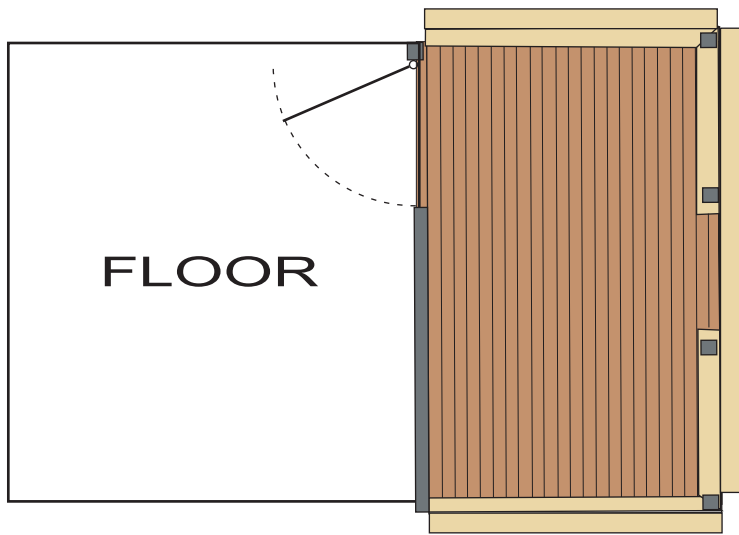
Scale 3.5 mm = 1 foot

Queensland Police Lockup

drawn by Jim Fainge 1995
Digitised April 2008



- a: Roll stumps and glue to base cut Stump caps
- b: Form floor and glue to thick card
- c: Fold the walls (glue on weather boards in the larger scales) glue to floor
- d: Cut and fold steps glue together and glue in place
- e: Cut roof fold and glue in place fold and glue ridge cap



hand rail template

