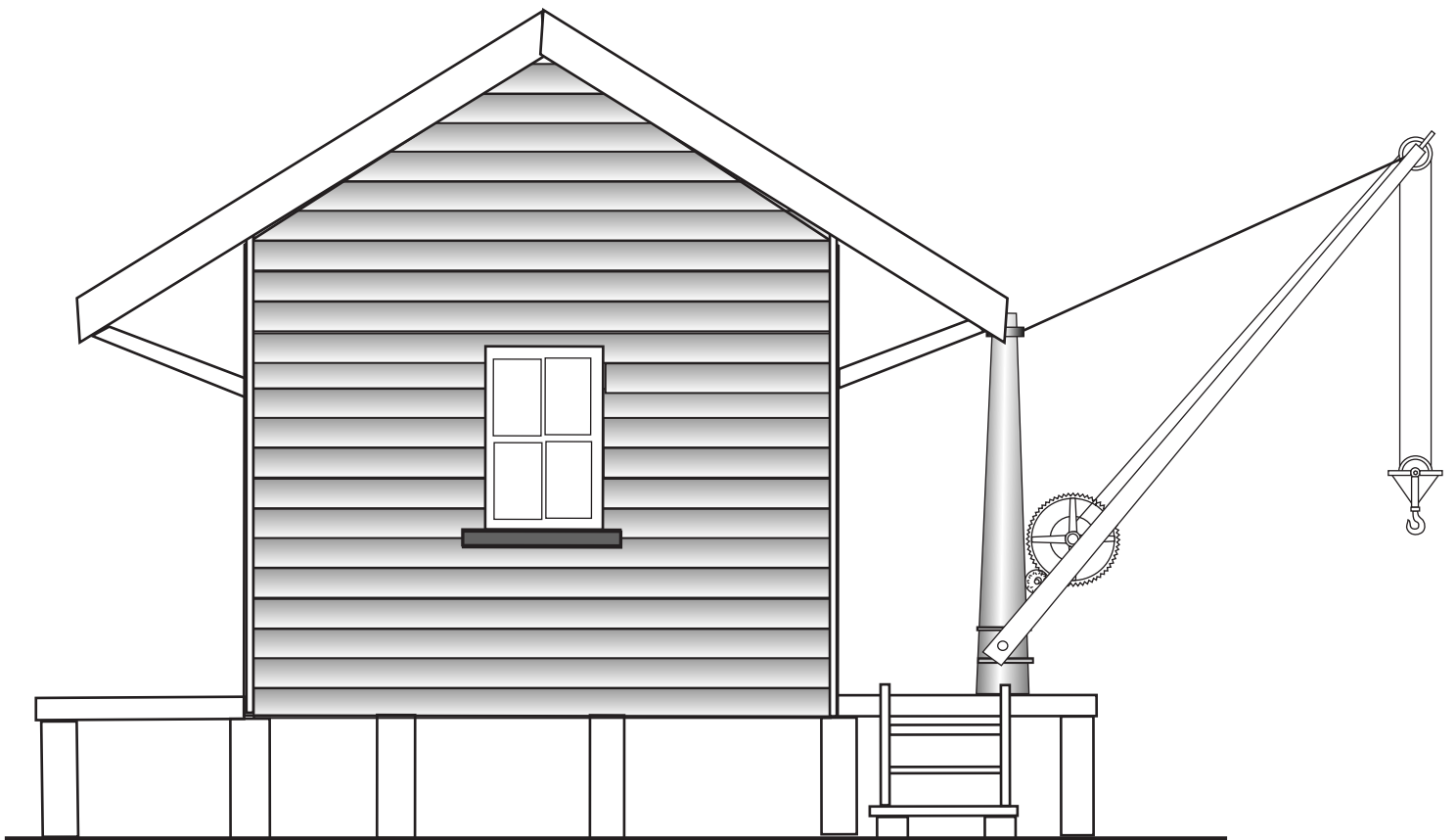
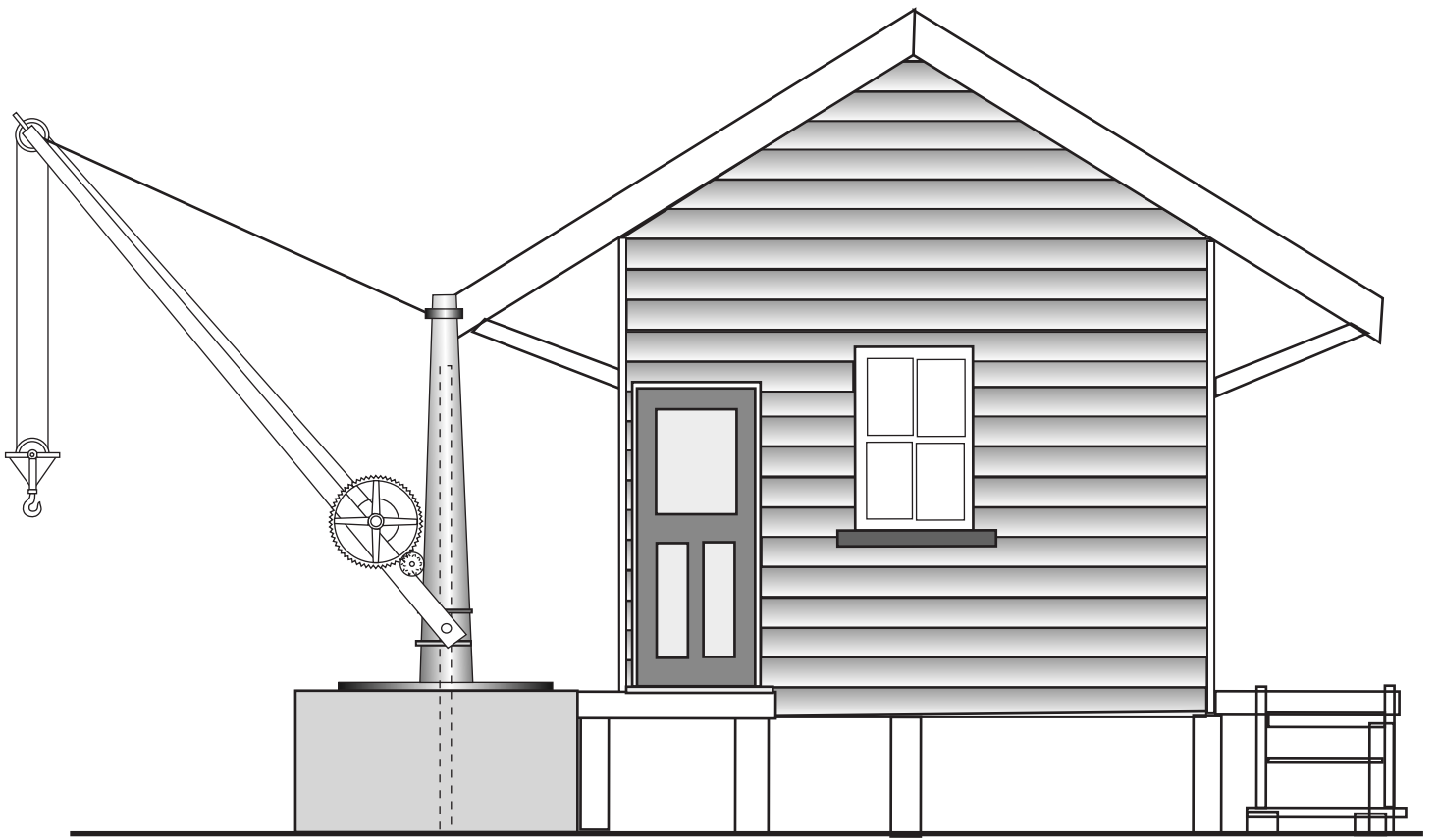


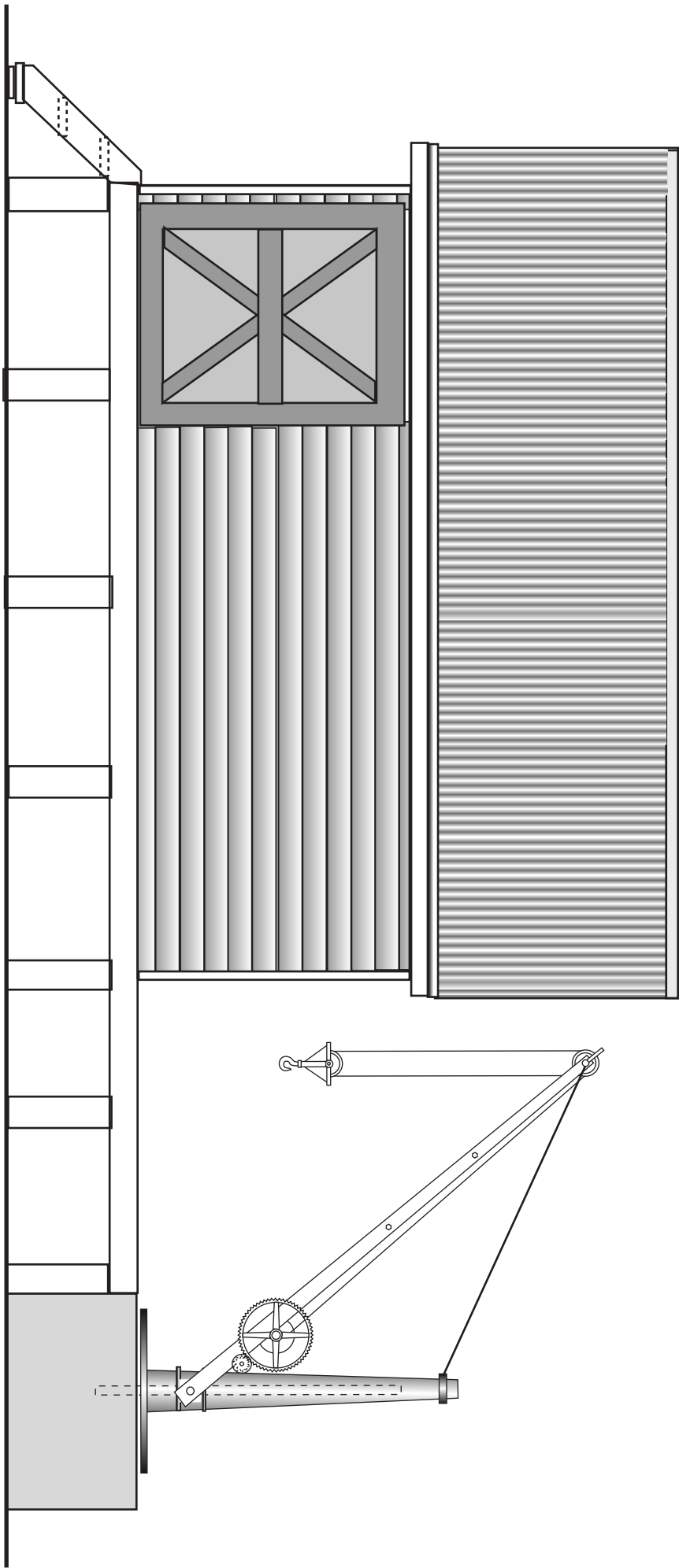
Scale 3.5 mm = 1 foot

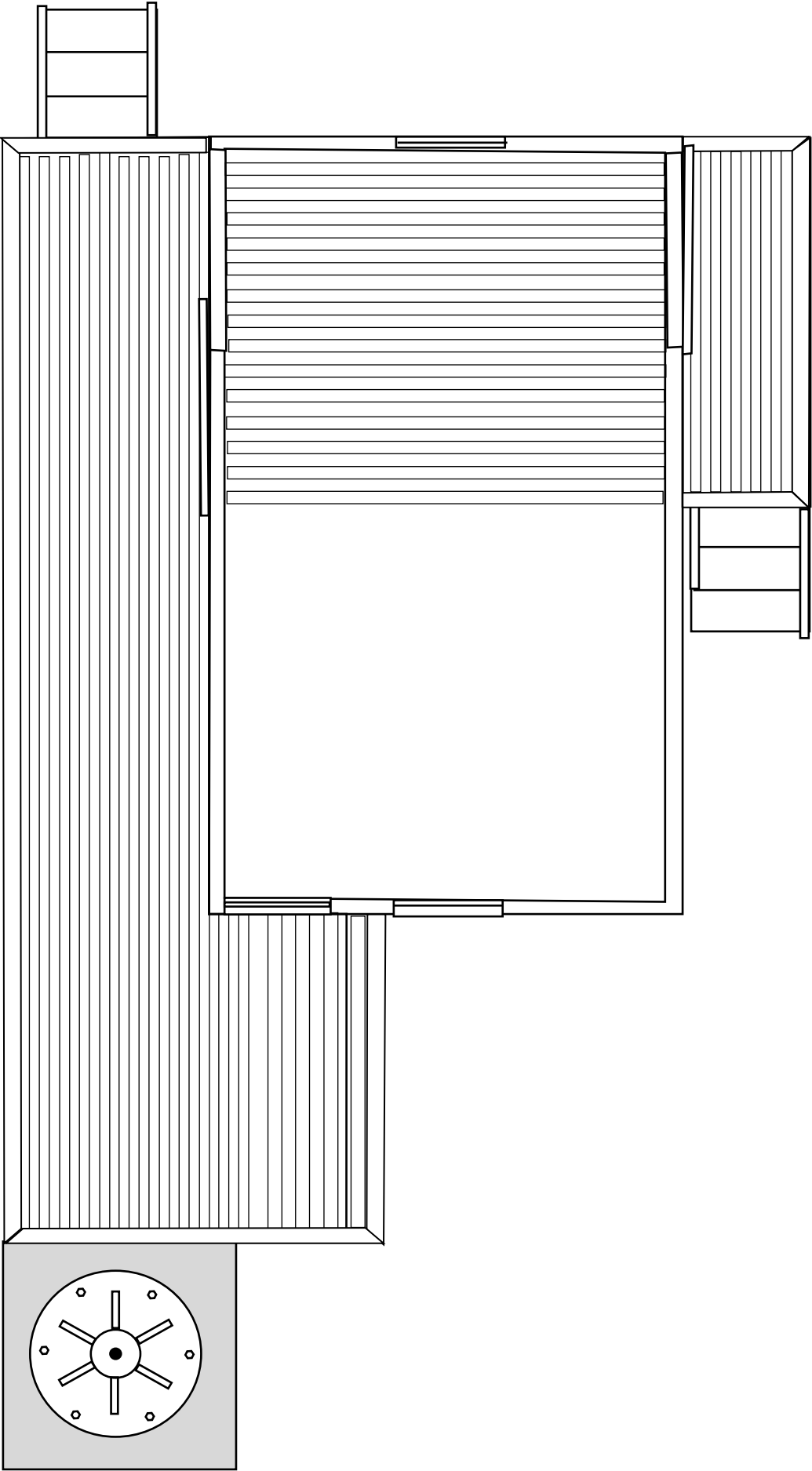
QGR

14 X 22 Galv. Iron

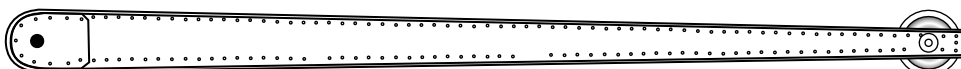
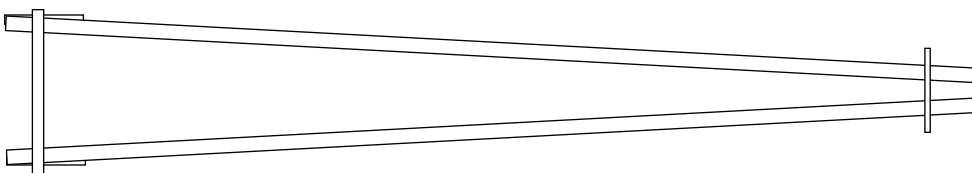
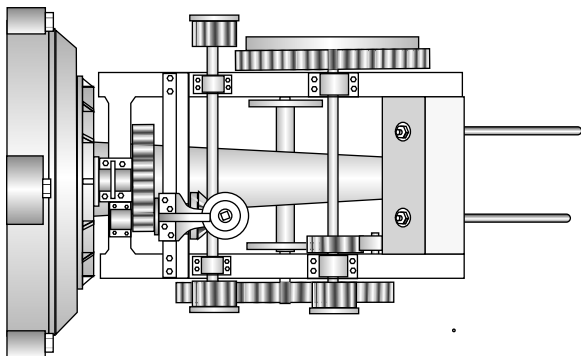
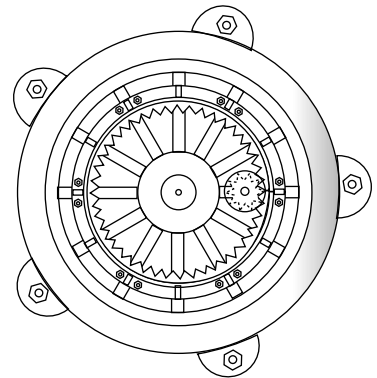
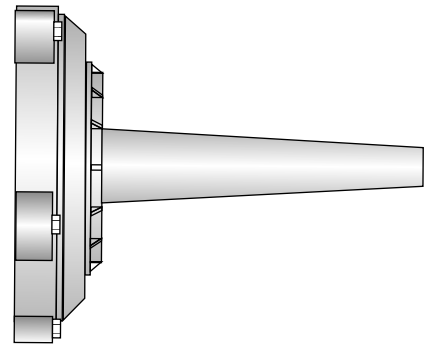
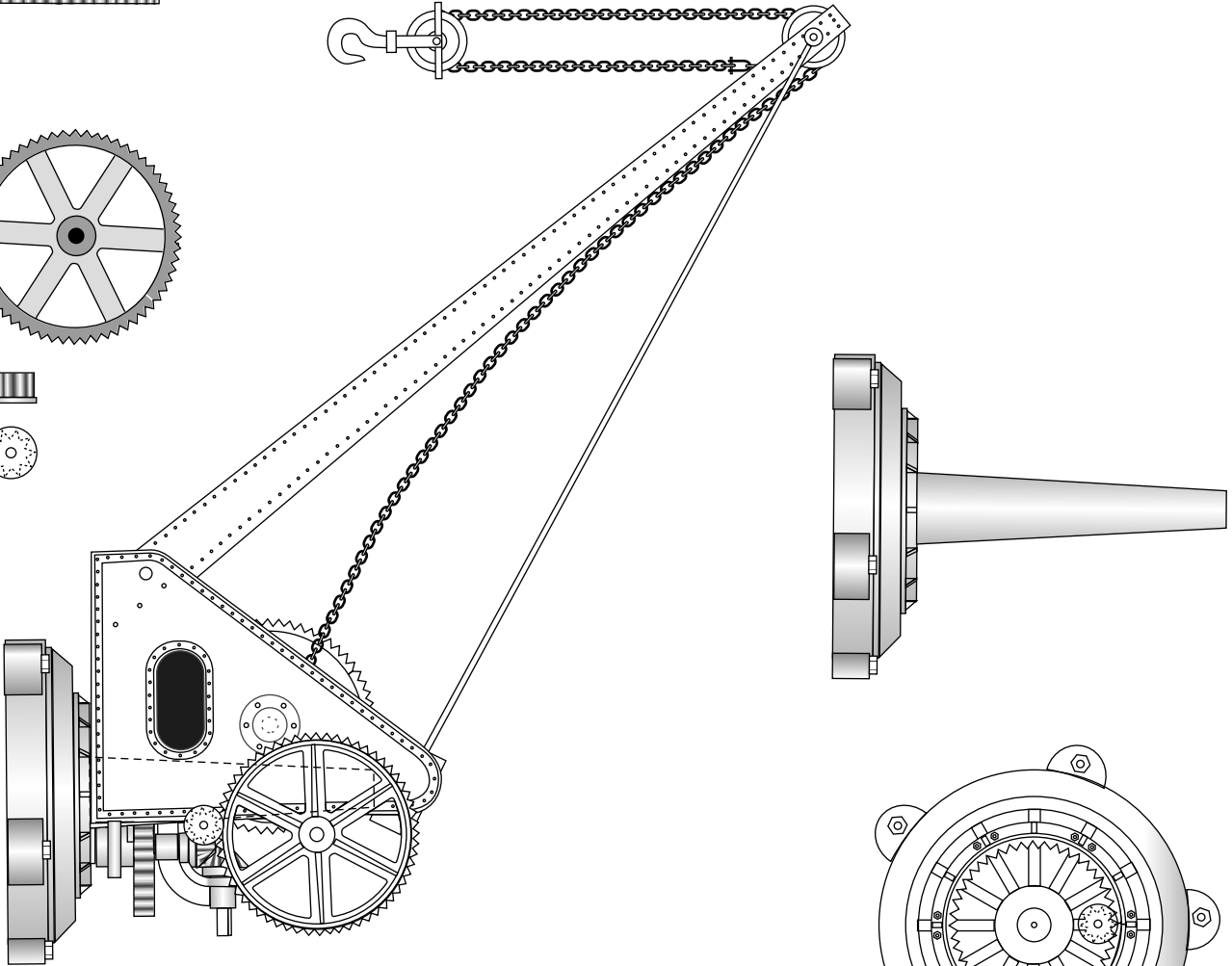
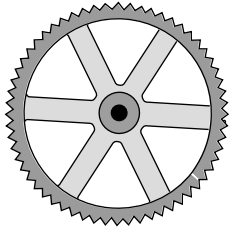
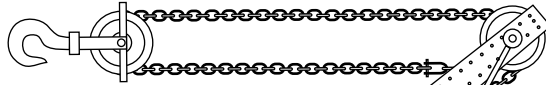
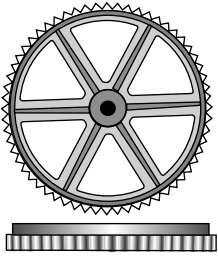
Goods Shed



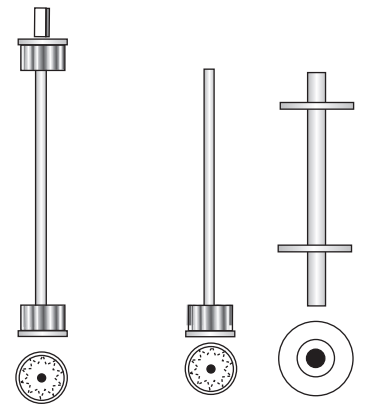
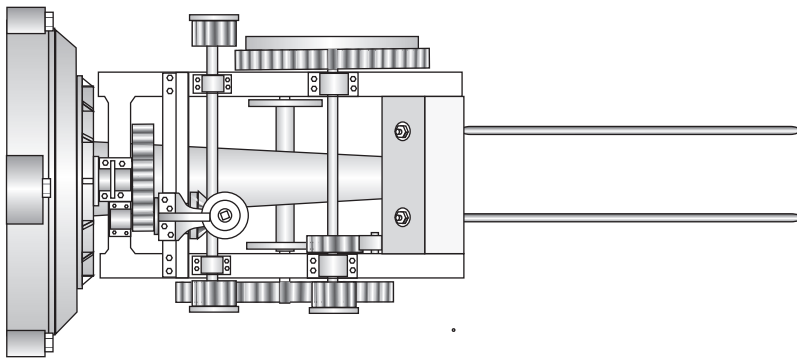
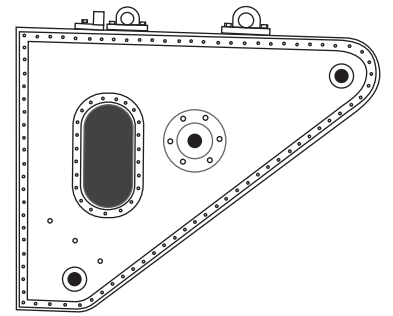
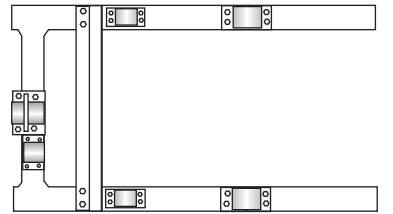
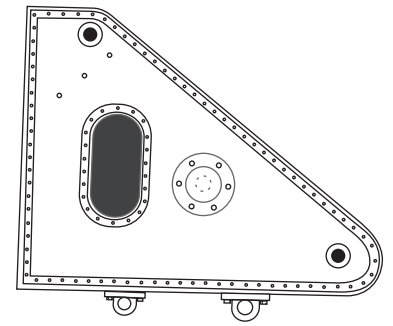
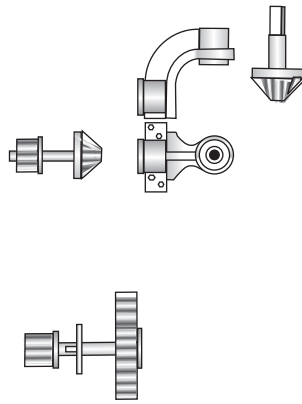
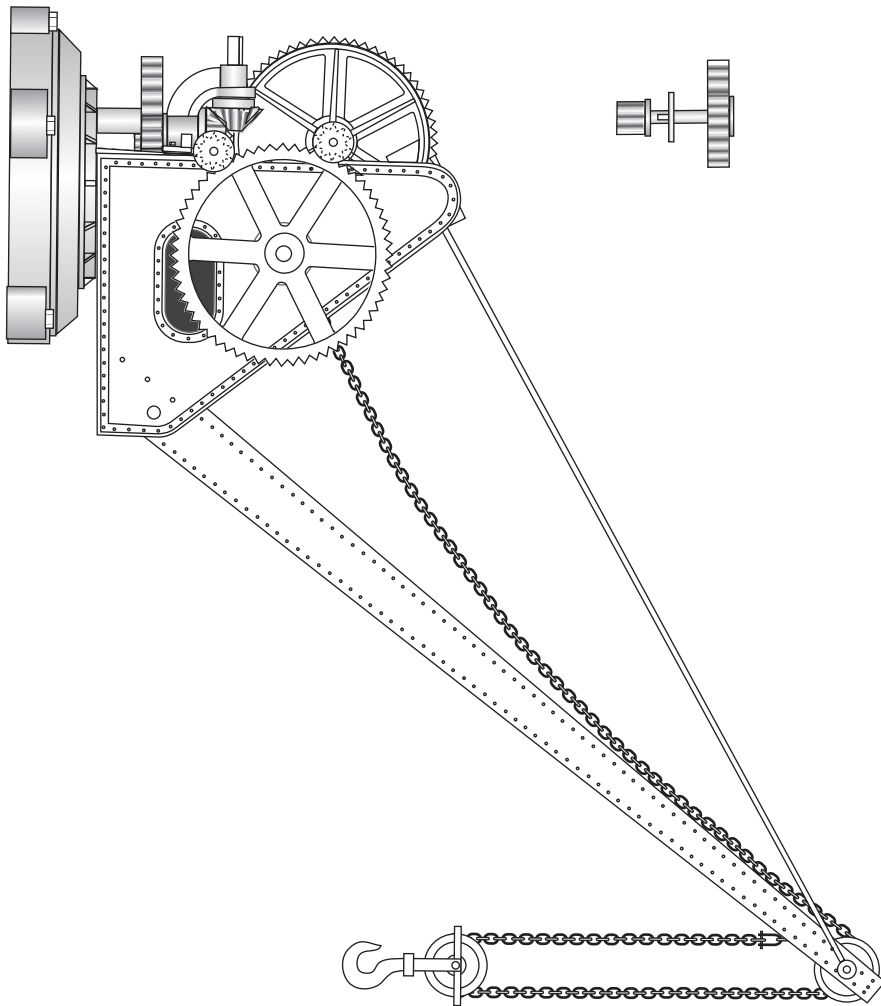




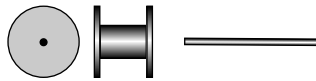
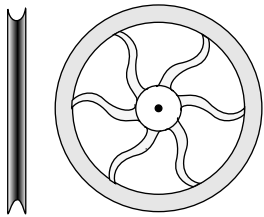
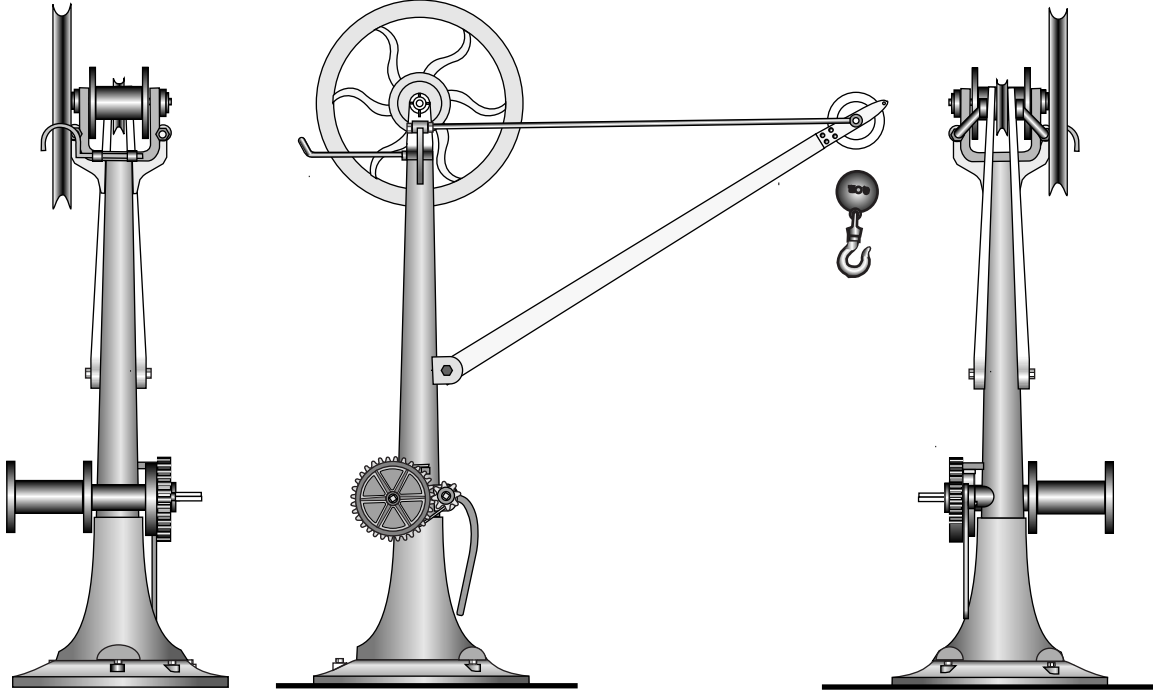
10 Ton Crane



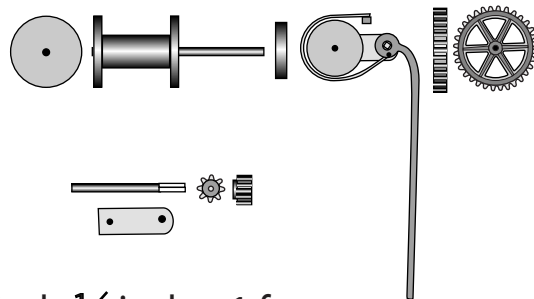
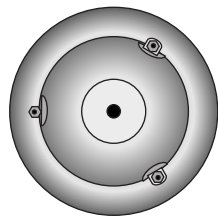
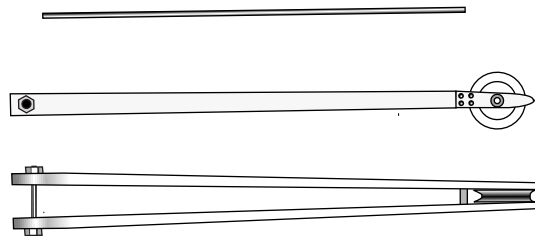
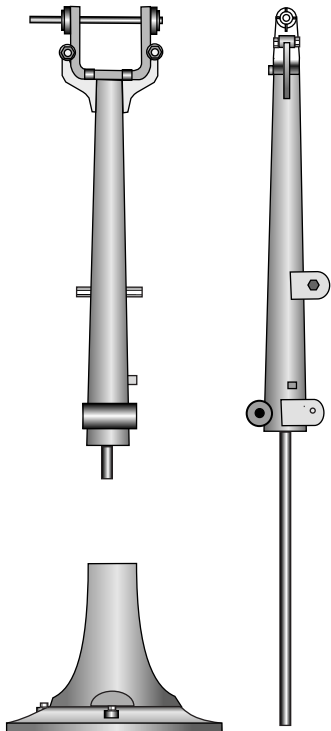
10 Ton Crane



3 ton High Wheel Goods Crane



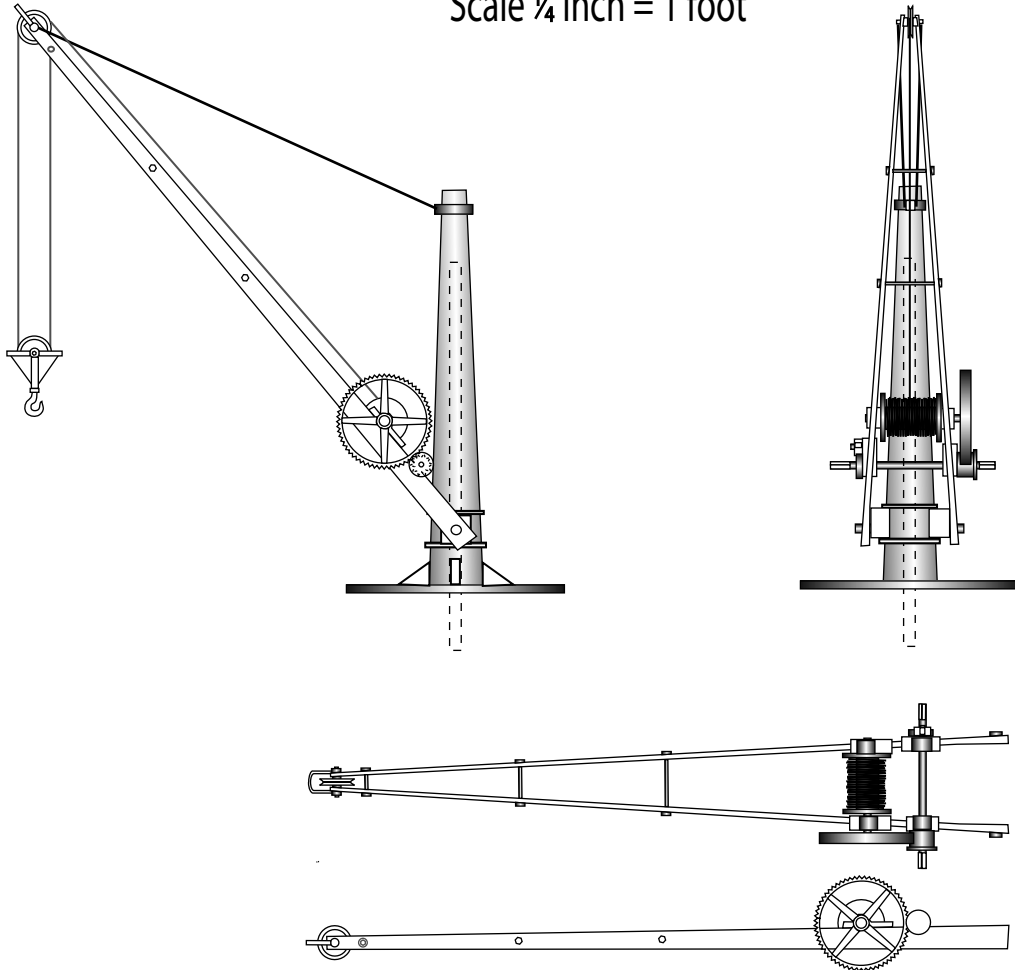
PARTS

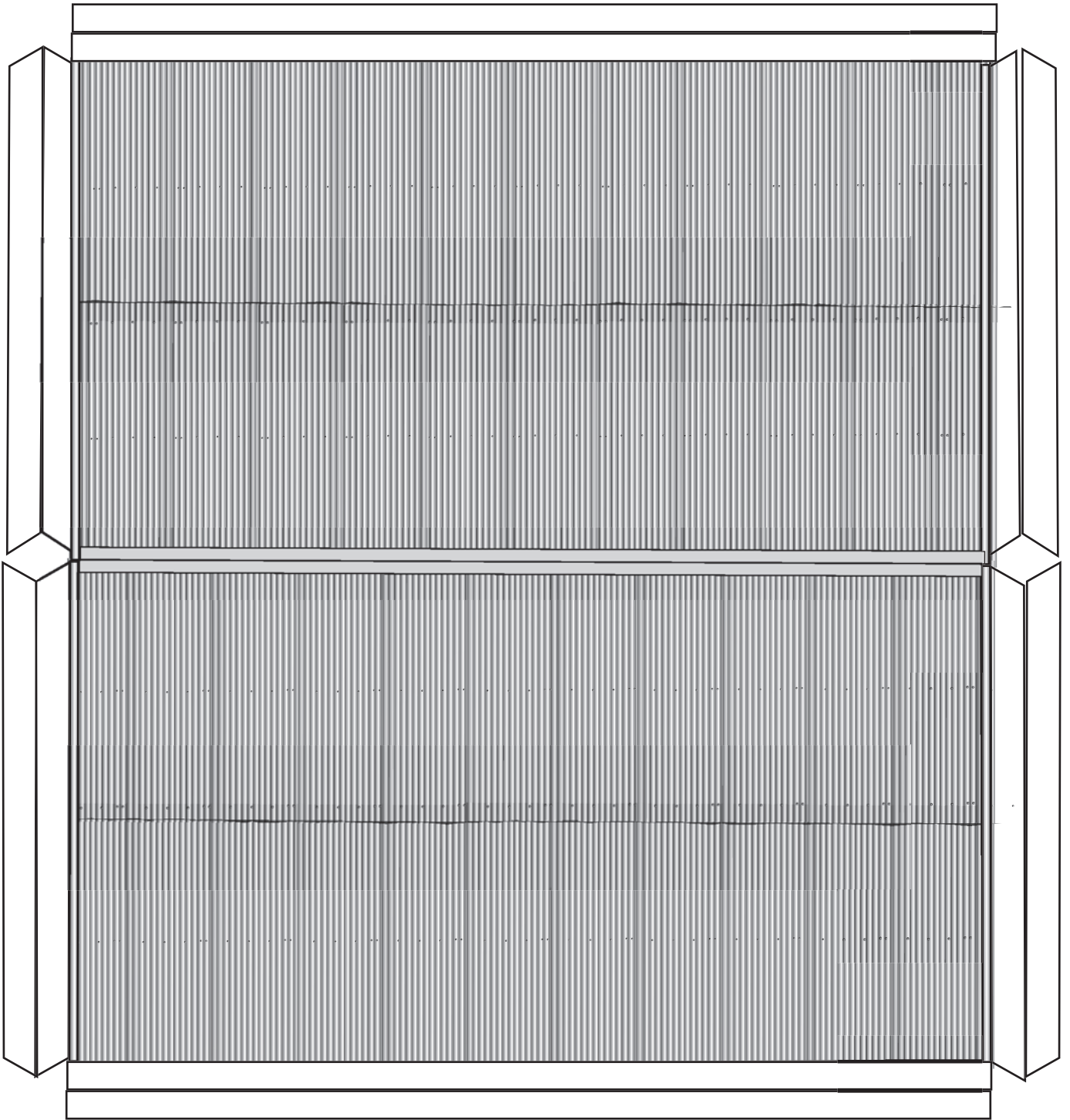


Scale $\frac{1}{4}$ inch = 1 foot

2 Ton Crane

Scale $\frac{1}{4}$ inch = 1 foot

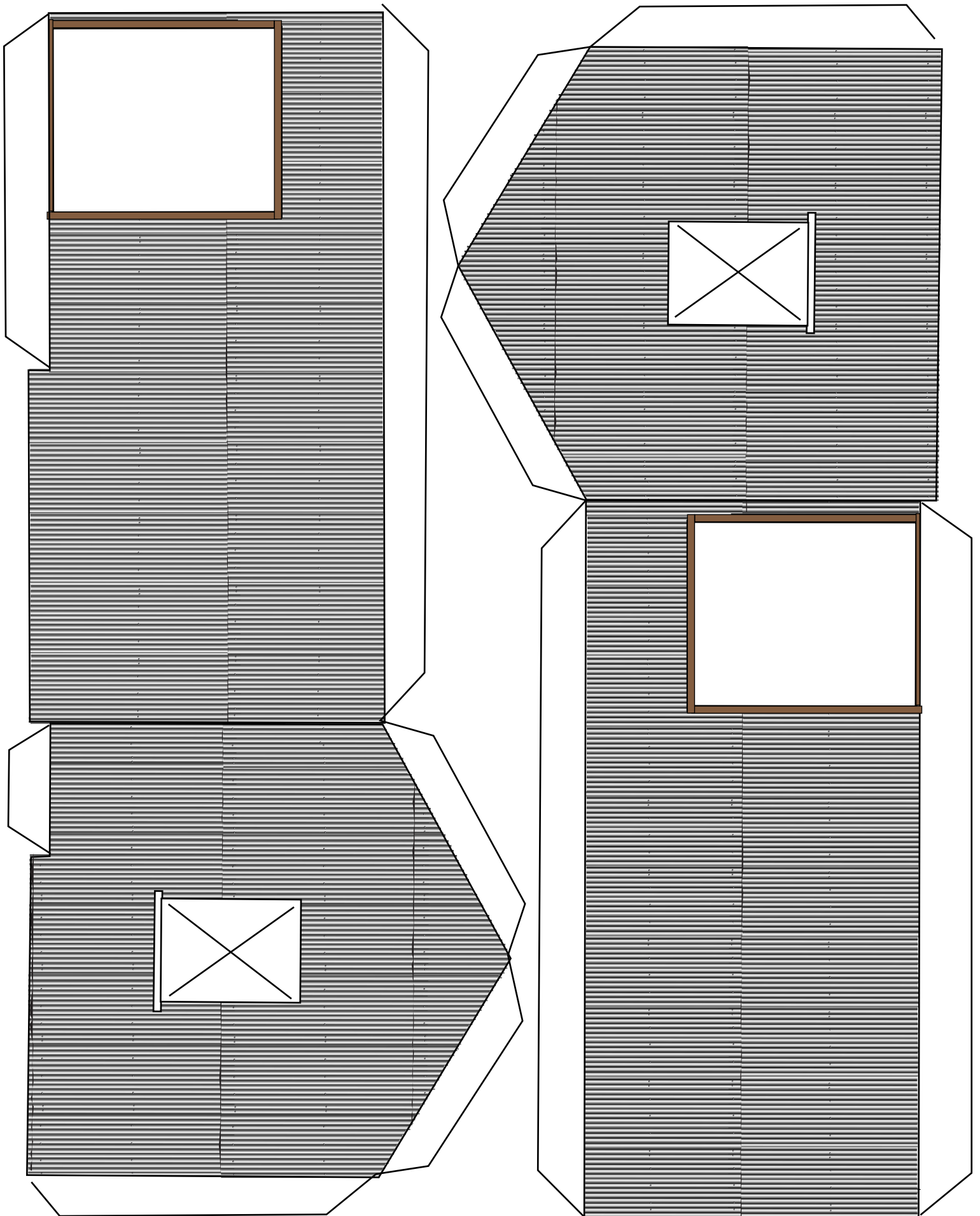




Goods Shed

O Scale

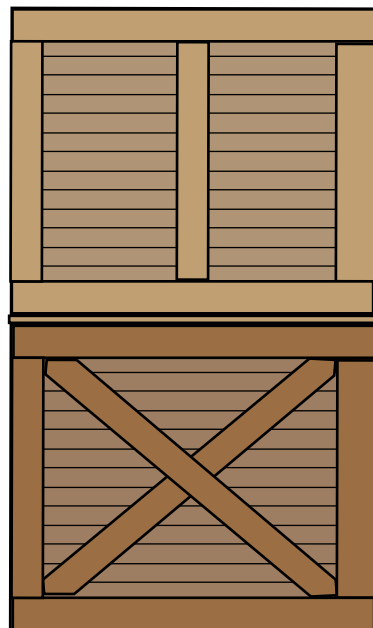
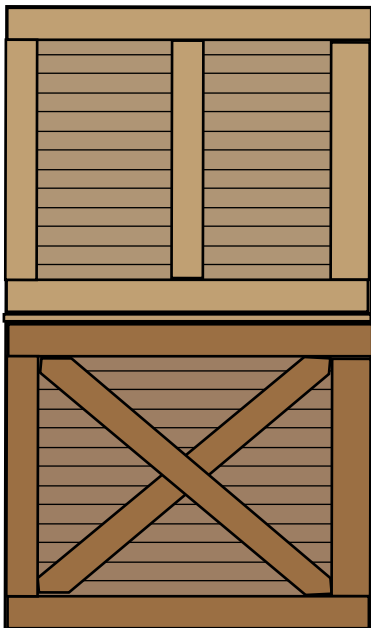
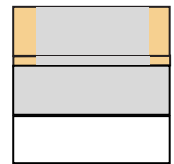
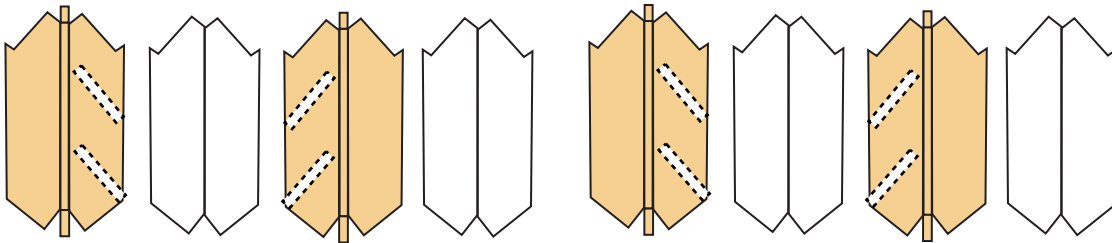
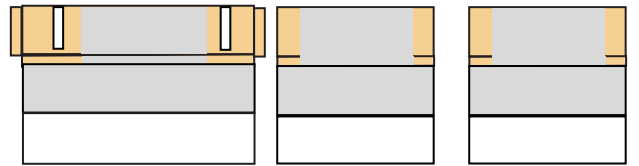
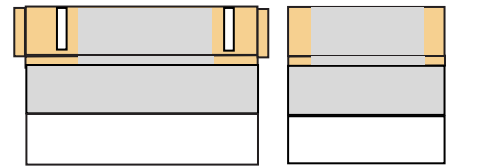
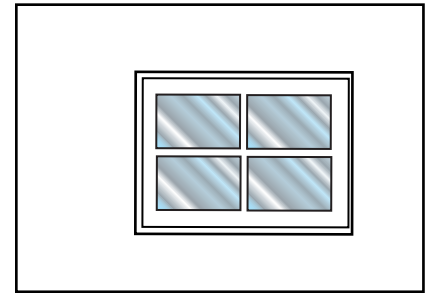
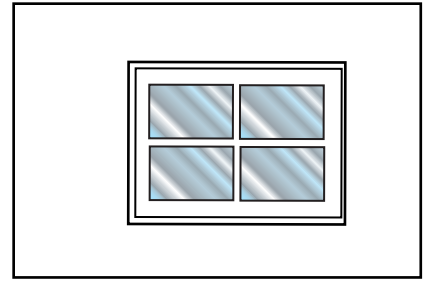
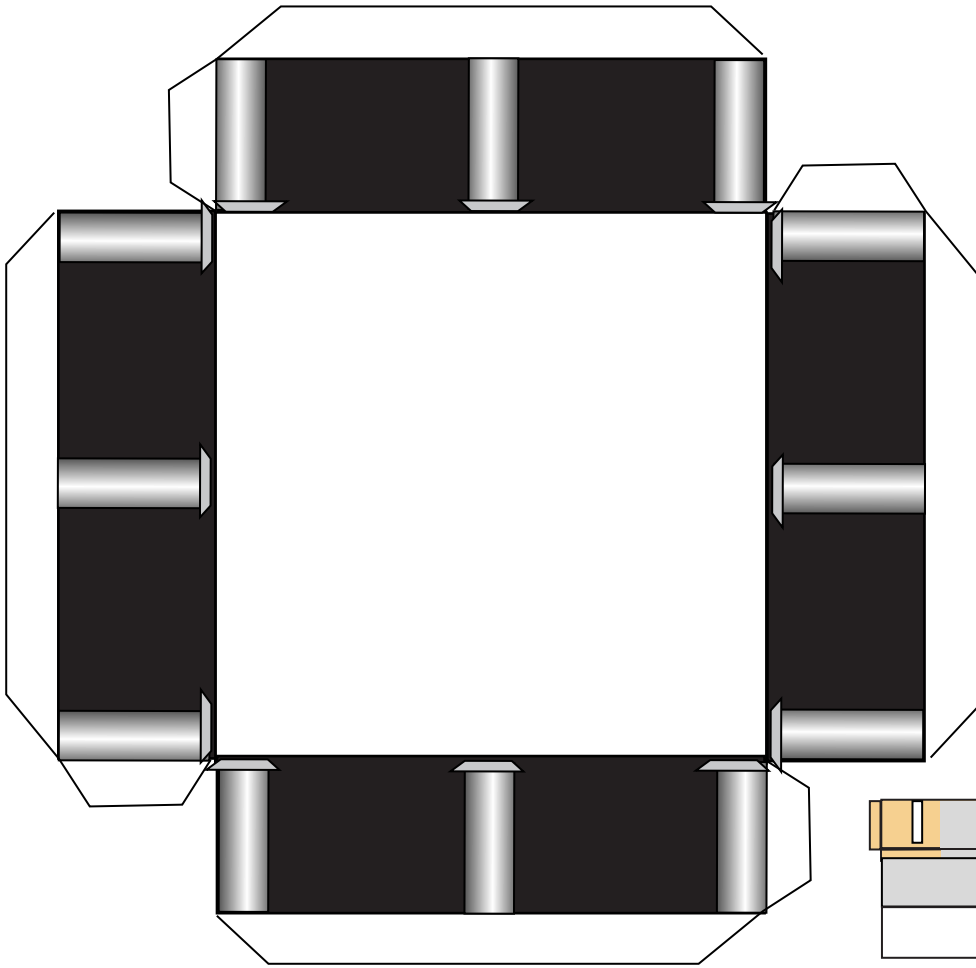
Sheet 4

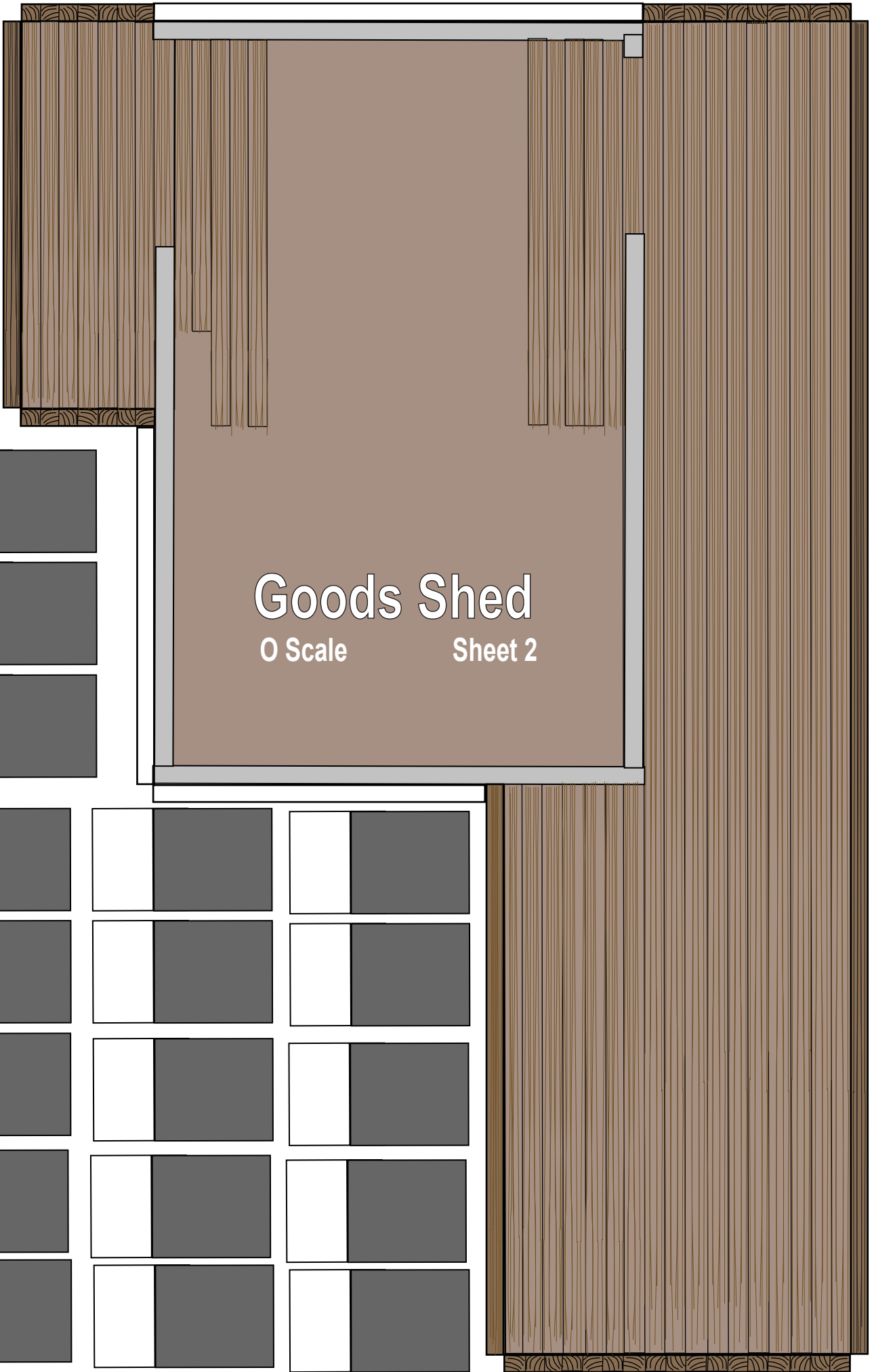
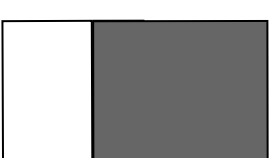
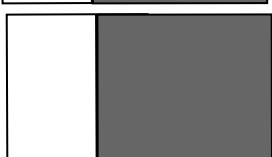
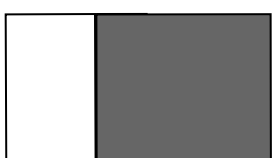
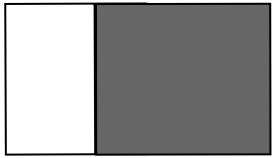
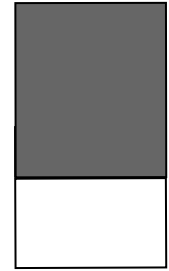
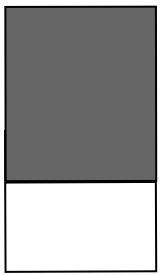


Goods Shed

O Scale

Sheet 3

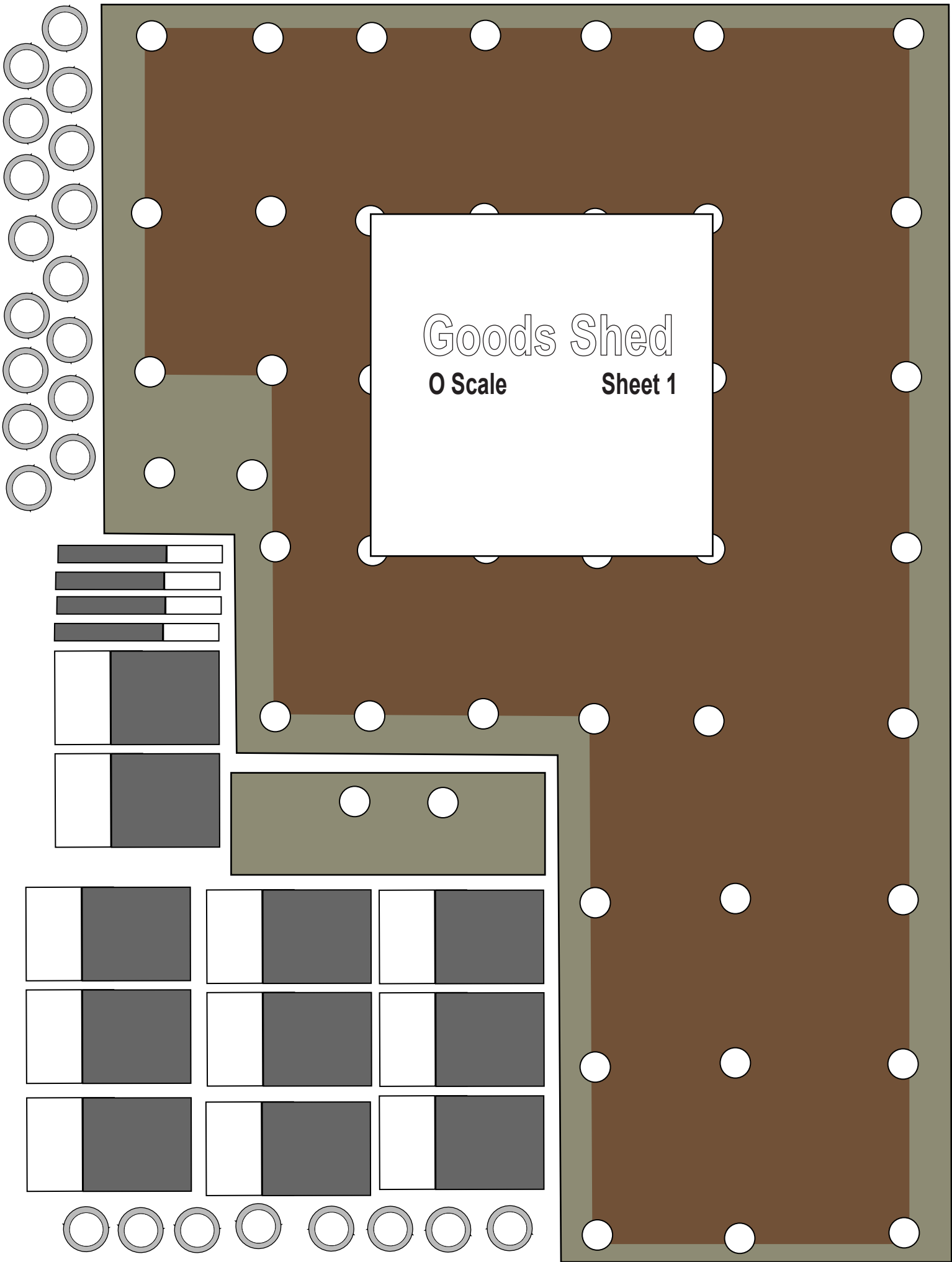




Goods Shed

0 Scale

Sheet 2



Goods Shed

0 Scale

Sheet 1

