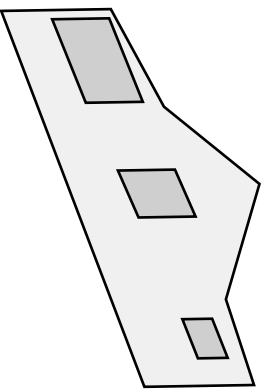


FETTLERS COTTAGE

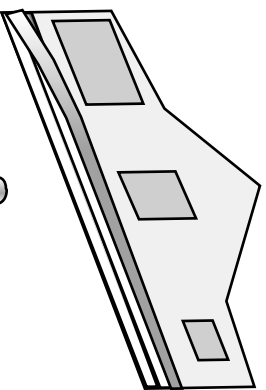
Construction Instructions

Weatherboard walls

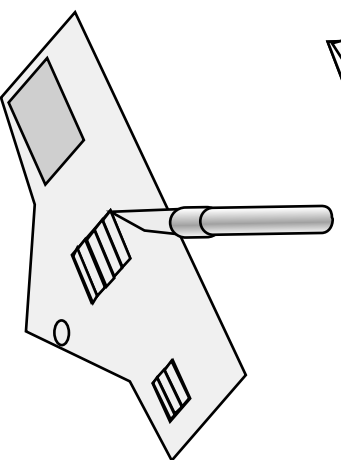
Preparation of walls



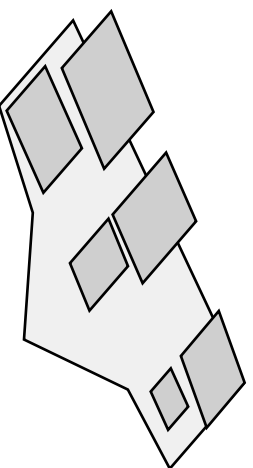
Cut walls and openings



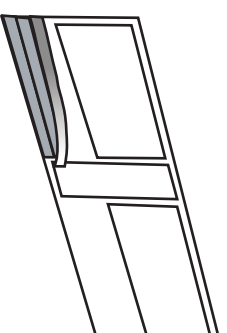
Glue weather boards to walls



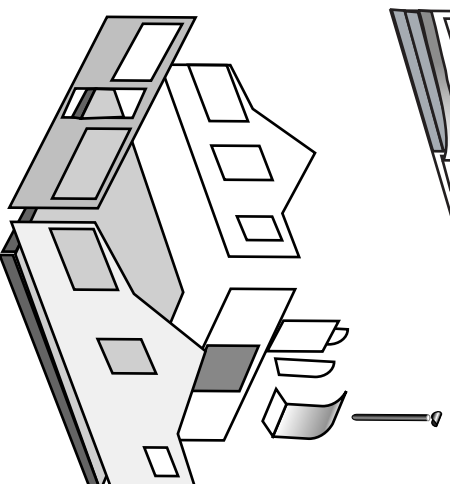
Turn wall over and cut Weather boards from openings



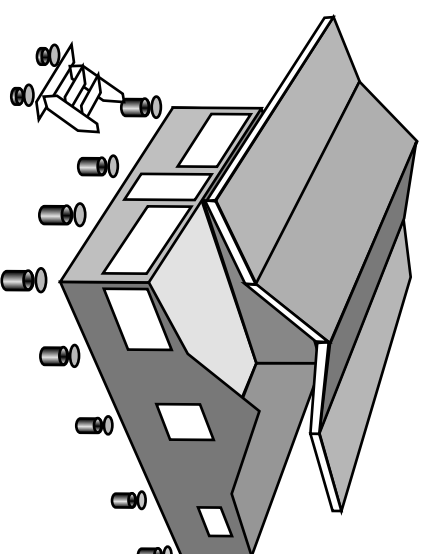
Glue windows behind openings



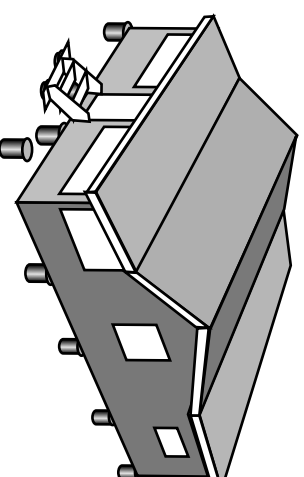
Cut and fit weather boards on lager scales



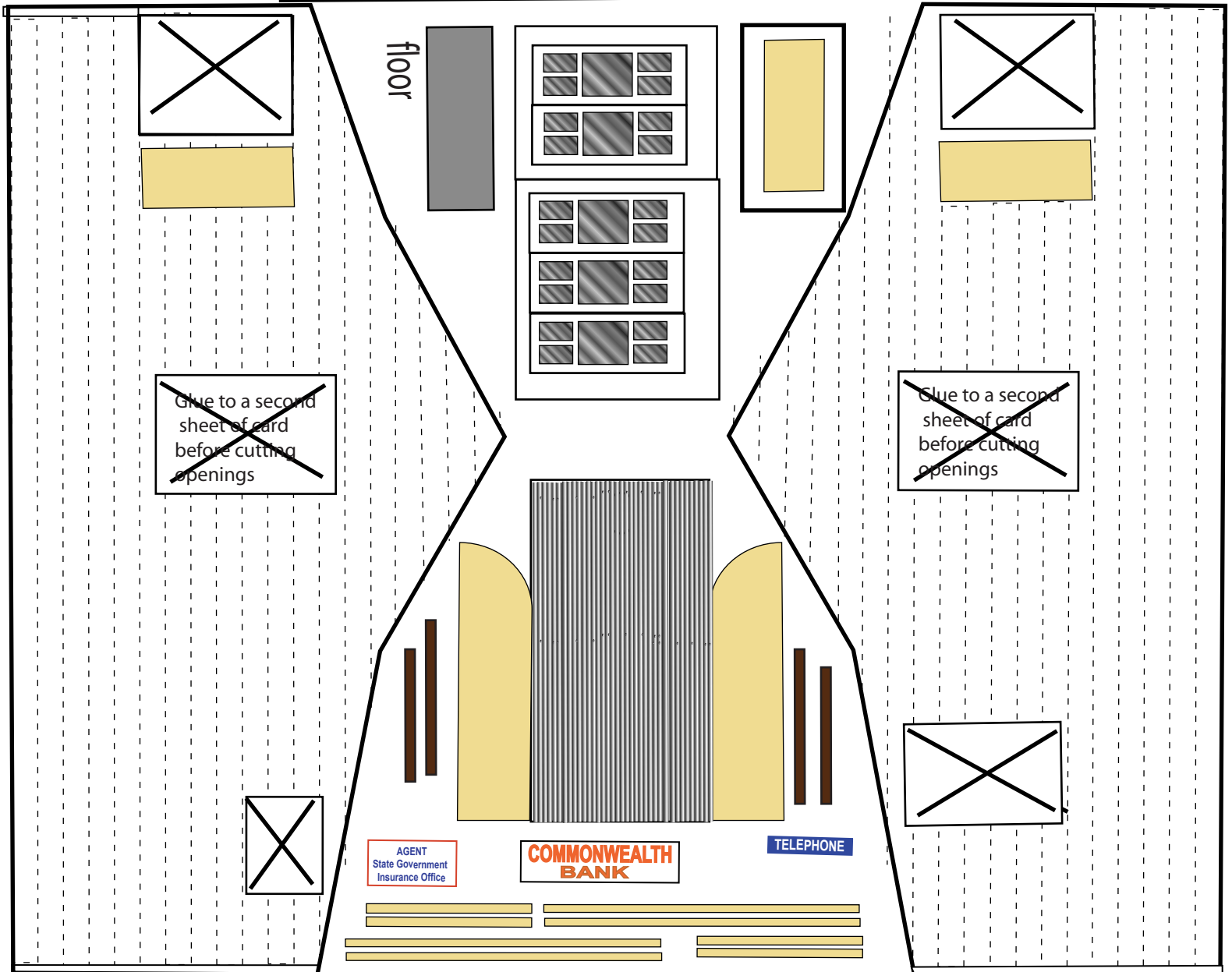
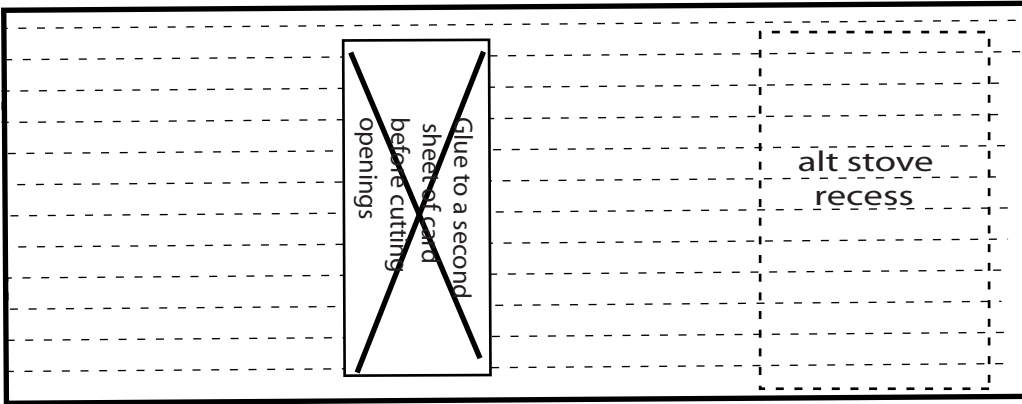
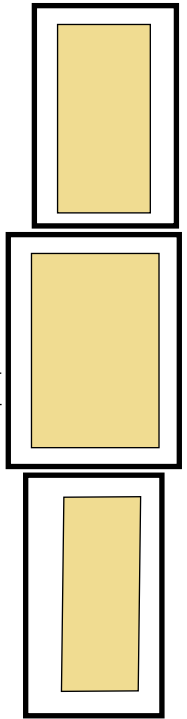
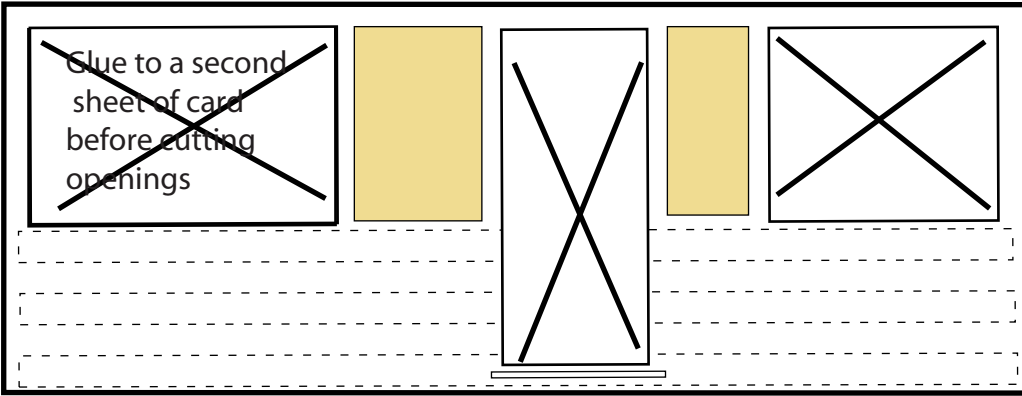
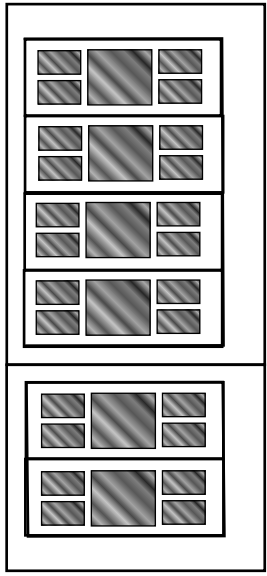
Fit windows behind window openings
glue completed walls to floor
Form stove recess and roll chimney and
glue to back wall



Fold and form roof with facias
and glue to walls
Roll stumps and glue along with
caps under floor
Fold and form steps and their stumps
and glue to front and back walls

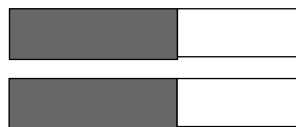
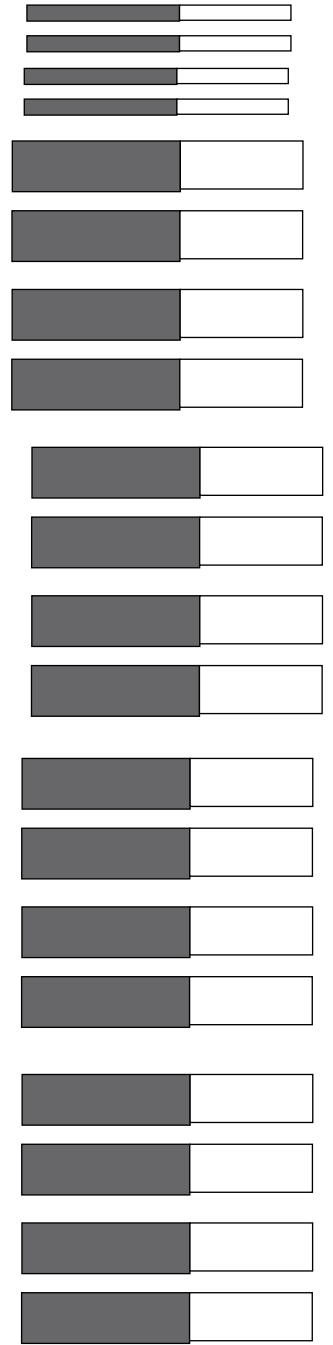
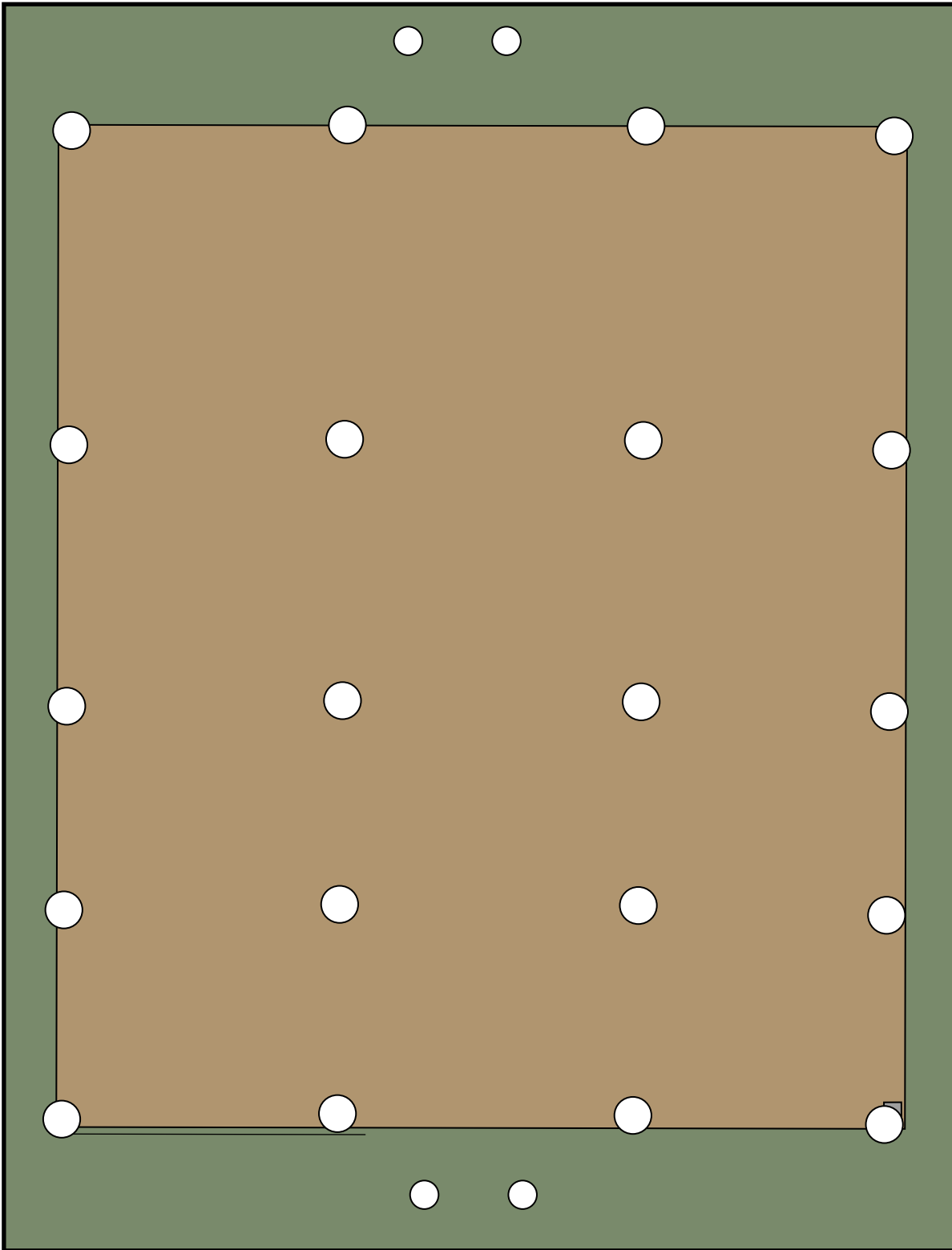


Fettlers Cottage Enclosed



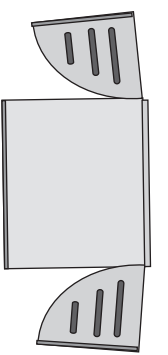
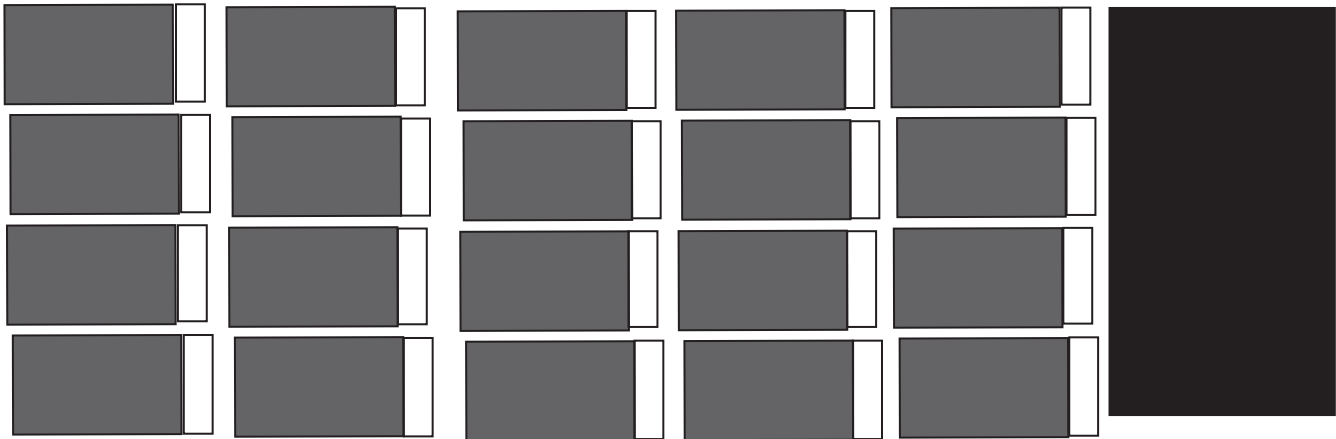
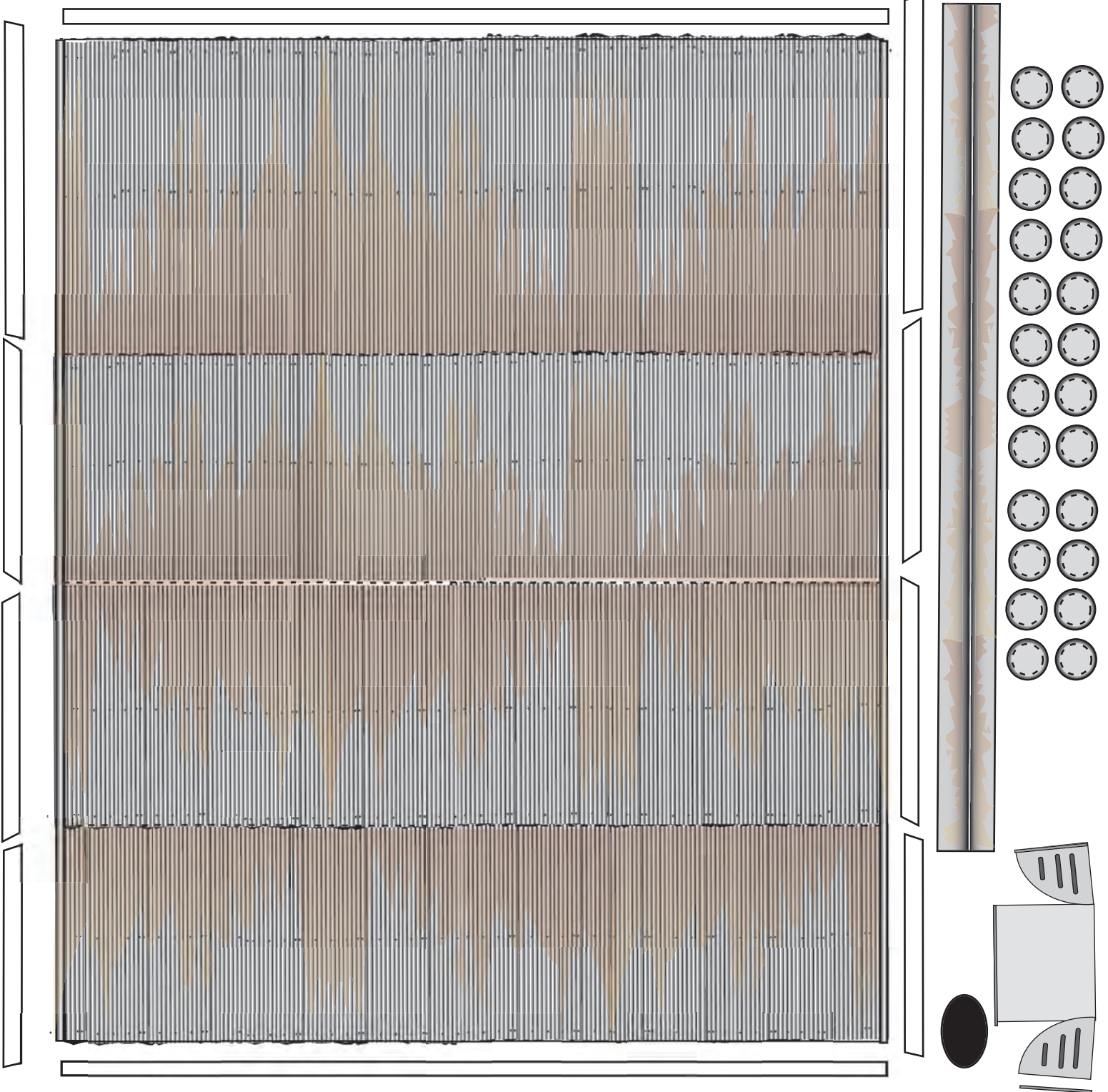
Fettlers Cottage

Base



CORRUGATED ROOF

Sheet 4



Weathered Weatherboard

