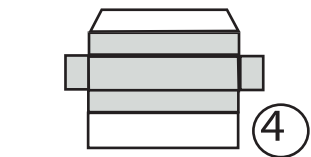
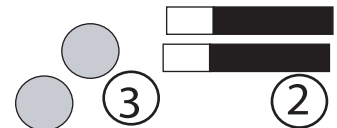
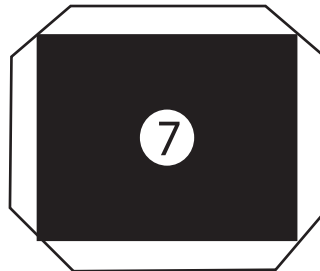
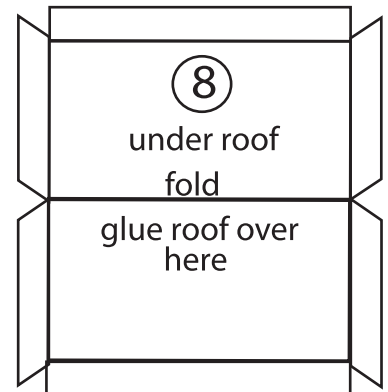
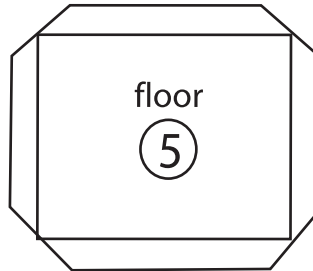
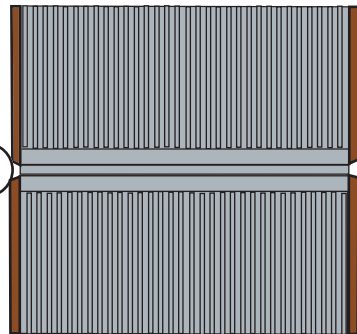
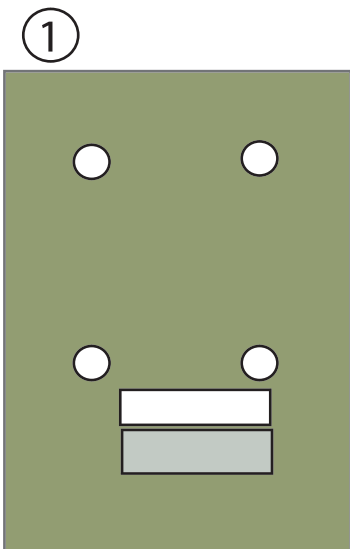
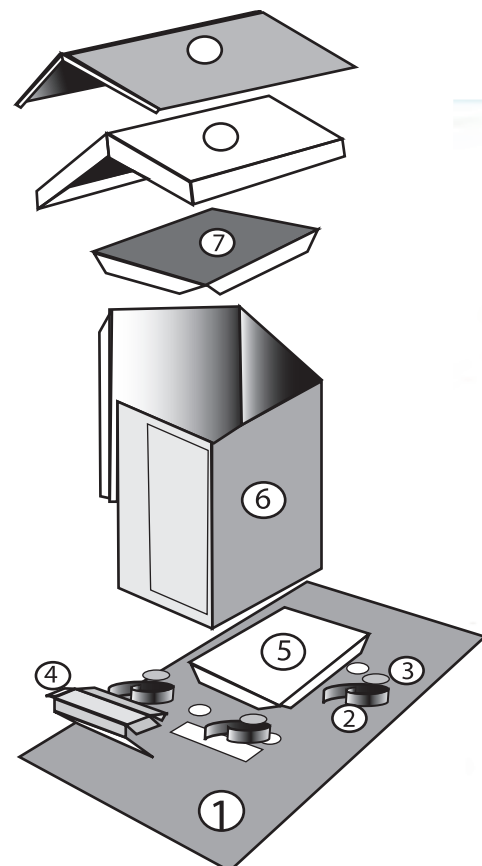


something for your model backyard !



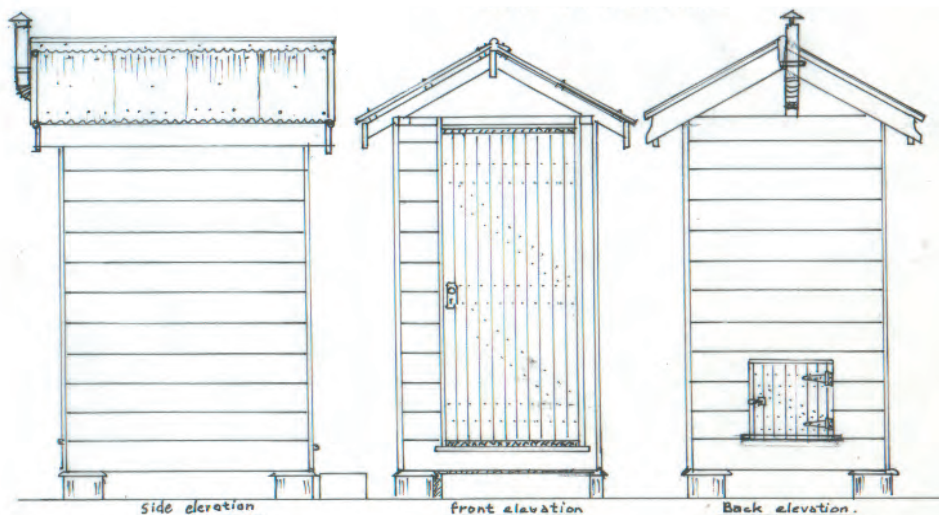
general instructions :-

- 1:- Cut out each part as required with a sharp knife and steel rule
- 2:- Scribe folds with a dull point and roll any curved parts around a suitable dowel or wire.
- 3:- Glue together using white glue sparingly
- 4:- Assemble in order indicated



OUTHOUSE

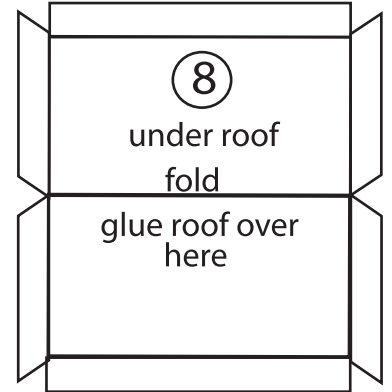
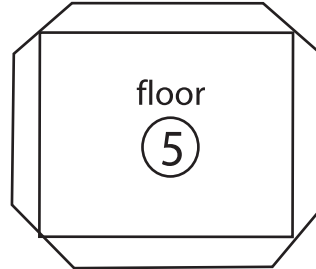
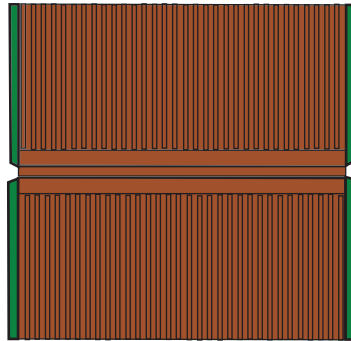
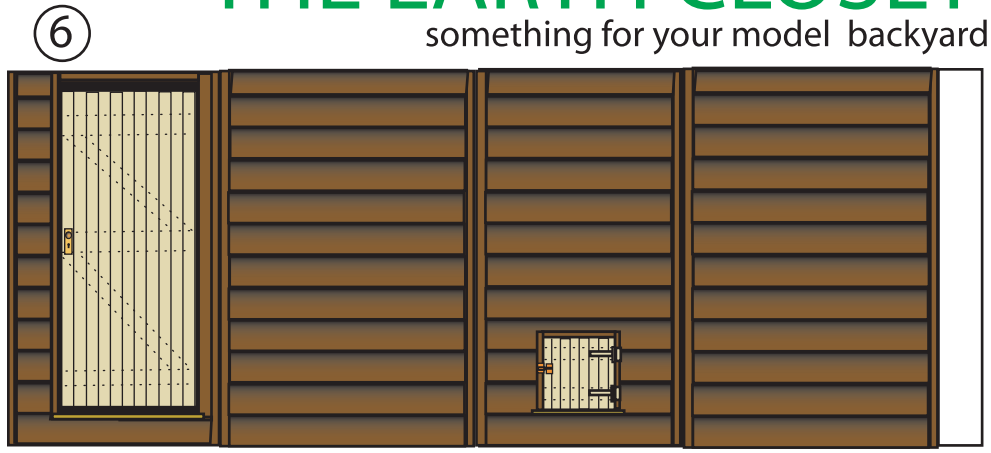
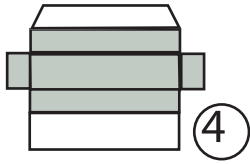
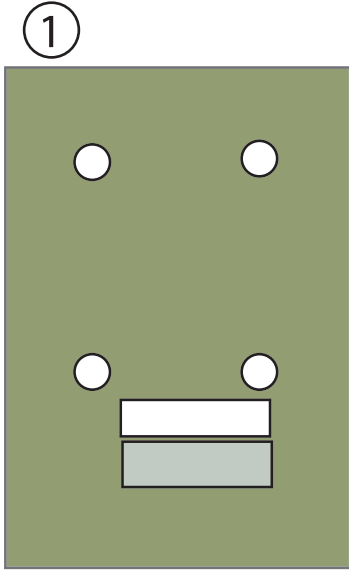
- d: Stumps as above 1 ; 2 and 3. Form front step 4.
- f: Fold walls 6 and laminate and form floor 5
- g: Glue floor inside walls and glue to stumps fold ceiling 7 and glue totop of walls
- h: Fold inner and outer roof fit and glue in place



SCALE 1 : 48 0"Scale

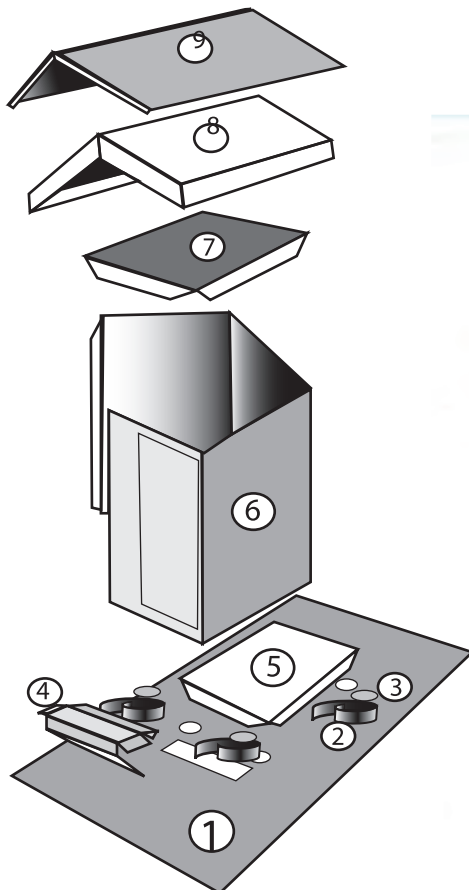
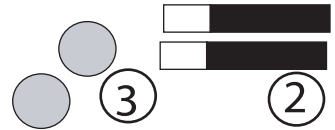
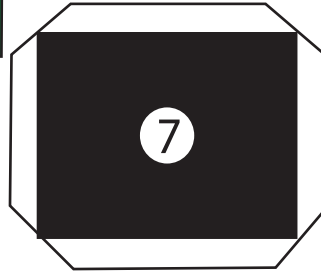
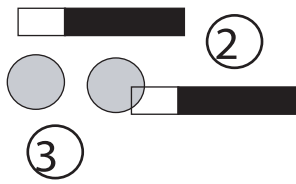


something for your model backyard !



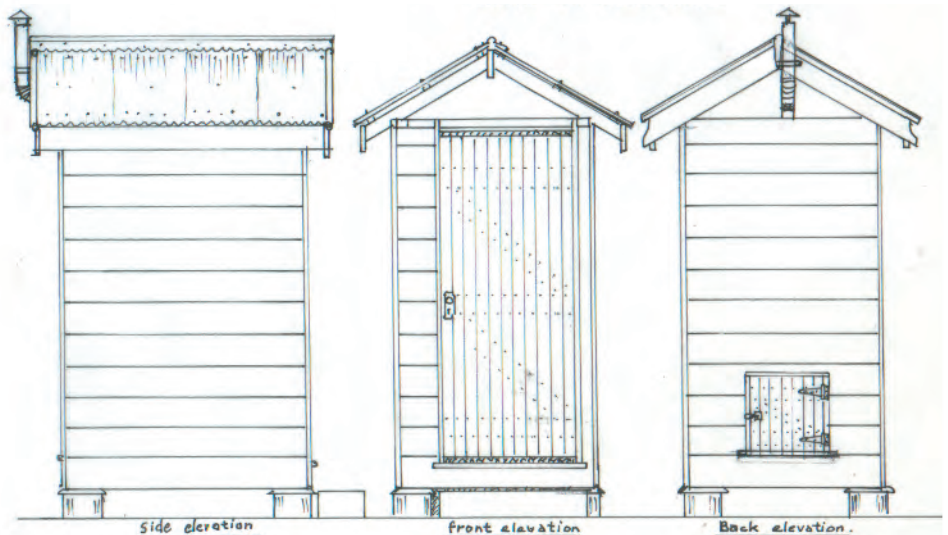
general instructions :-

- 1:- Cut out each part as required with a sharp knife and steel rule
- 2:- Scribe folds with a dull point and roll any curved parts around a suitable dowel or wire.
- 3:- Glue together using white glue sparingly
- 4:- Assemble in order indicated



OUTHOUSE

- d: Stumps as above 1 ; 2 and 3. Form front step 4.
- f: Fold walls 6 and laminate and form floor 5
- g: Glue floor inside walls and glue to stumps fold ceiling 7 and glue to top of walls
- h: Fold inner and outer roof fit and glue in place

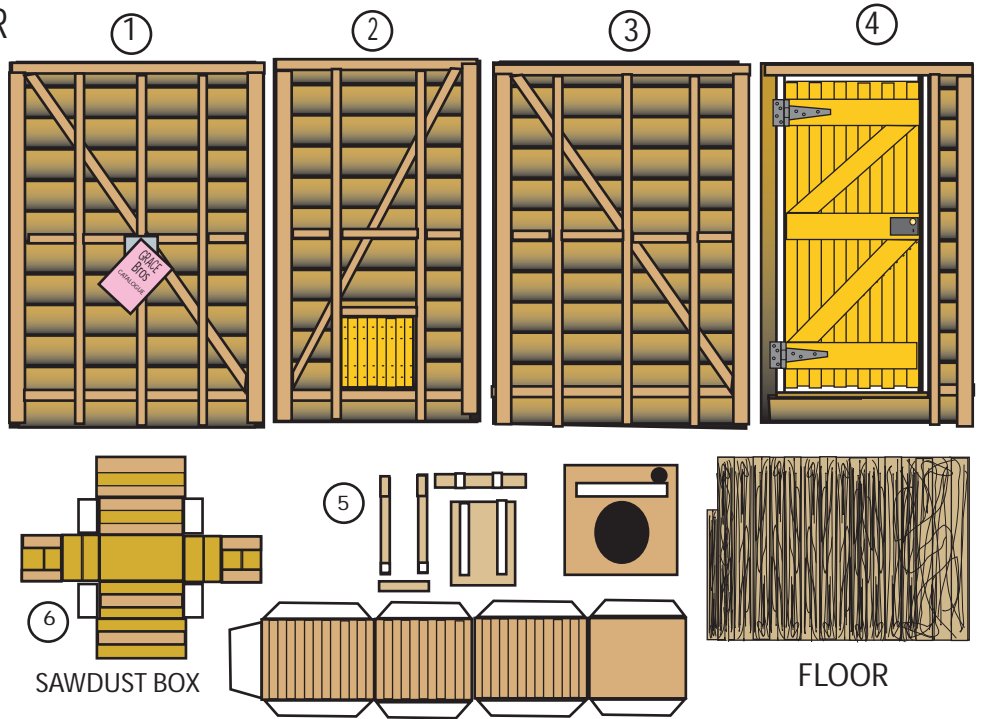
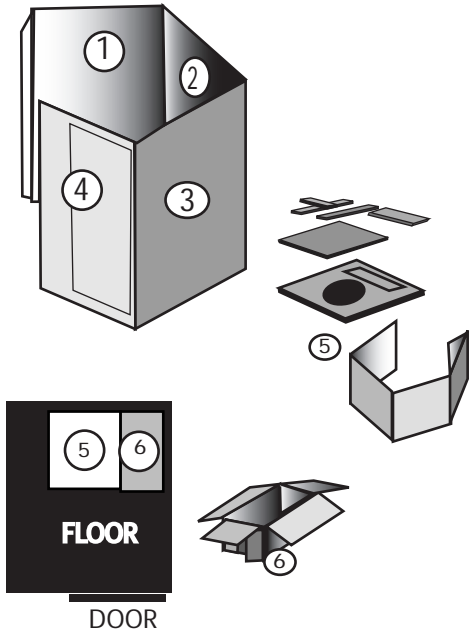


SCALE 1 : 48 0"Scale



The BACKYARD EDIFICE
JUST FOR FUN HERE IS THE INTERIOR

THE EARTH CLOSET



NOTE Cut and fit individual walls 1 - 4 Cut out the door and glue open Fit floor then assemble boxes 5 & 6

SCALE 1 : 48 Ö"Scale

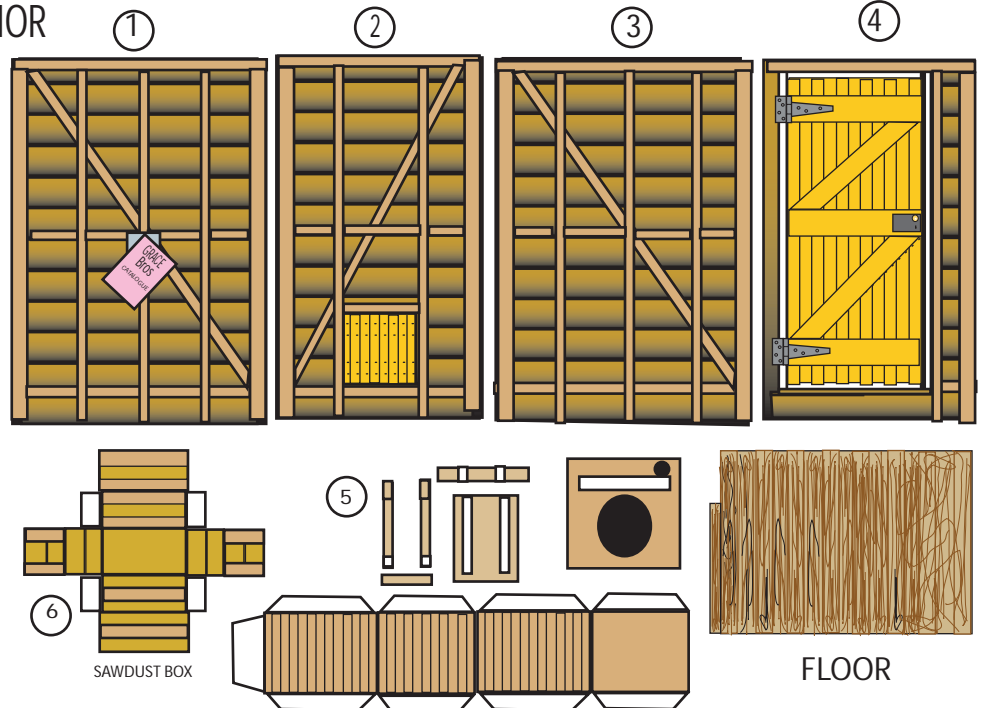
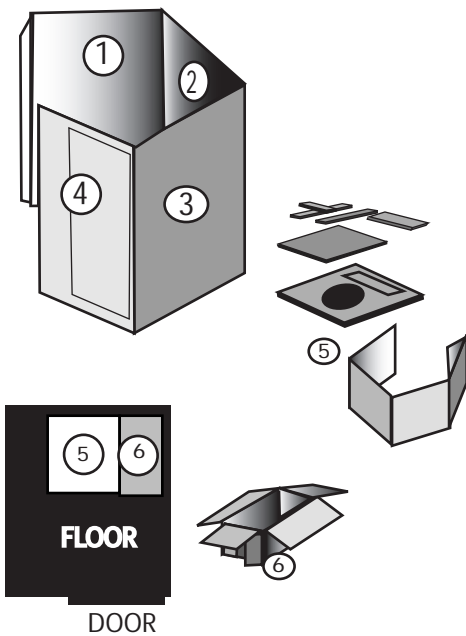


design by Jim & Keith Fainges (Ladndad)



The BACKYARD EDIFICE
JUST FOR FUN HERE IS THE INTERIOR

THE EARTH CLOSET



NOTE Cut and fit individual walls 1 - 4 Cut out the door and glue open Fit floor then assemble boxes 5 & 6

SCALE 1 : 48 Ö"Scale



design by Jim & Keith Fainges (Ladndad)

